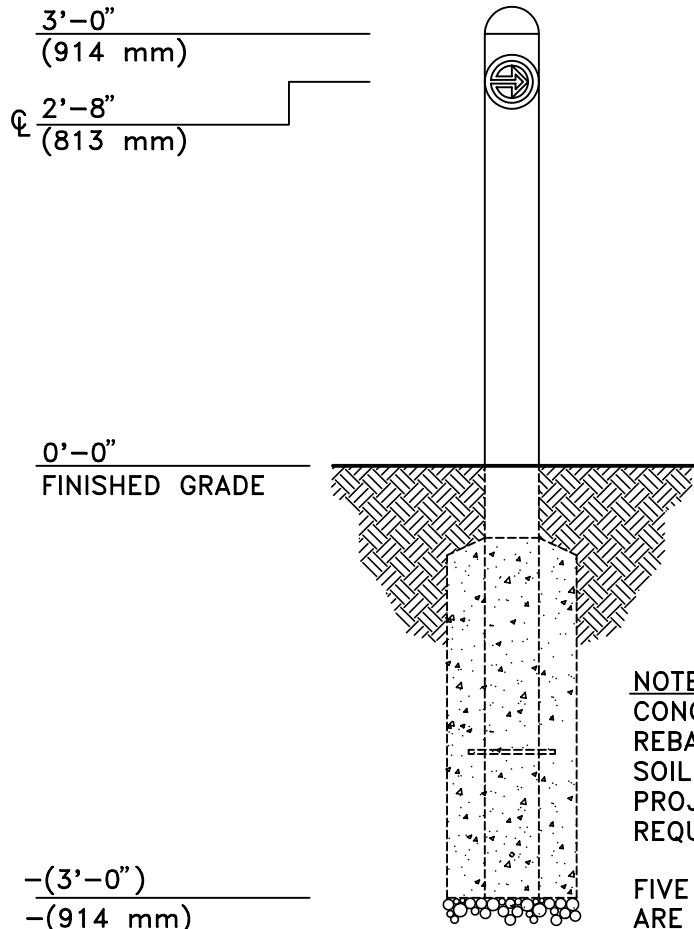


TOP VIEW



FRONT VIEW

**NOTE:**  
CONCRETE FOOTING AND NO. 4 REBAR (BY OTHERS) PER LOCAL SOIL CONDITIONS. CONSULT PROJECT ENGINEER FOR EXACT REQUIREMENTS.

FIVE POSTS WITH DIRECTIONAL ARROWS ARE INCLUDED WHEN THE COMPLETE 18-STATION FITNESS ROUTE IS ORDERED. DIRECTIONAL POSTS ARE OPTIONAL WHEN ORDERING FITNESS CLUSTER GROUPS.

WHEN ORDERING THIS SIGN SEPARATELY, SPECIFY MODEL NUMBER 9720-1 THRU 12. NUMBERS 1-12 REPRESENT DIRECTION OF ARROW CORRESPONDING TO THE FACE OF A CLOCK (9720-3 SHOWN).

**NOT FOR CONSTRUCTION. CONTACT COLUMBIA CASCADE COMPANY FOR INSTALLATION INSTRUCTIONS.**

This drawing reveals the copyrighted intellectual property of Columbia Cascade Company. Not for use by others without our express, written authorization.

Authorization for use is hereby granted to architects, landscape architects and similar design professionals solely for the purpose of specifying TimberForm products.



Scale 1 1/2"=1'-0"  
Drawn by: CL 07-04-10  
Ck'd by:



**COLUMBIA CASCADE COMPANY**

Makers of TimberForm®, PipeLine®, RePlay®, TimberForm®-2, InterPlay®, CycLoops® and CycLocker® Products.

1300 S.W. Sixth Avenue, Suite 310 Telephone 503/223-1157  
Portland, Oregon 97201-3464 Facsimile 503/223-4530  
U.S.A.

WWW.TIMBERFORM.COM

Title:

PIPELINE FITNESS ROUTE AND CLUSTERS  
MODEL NO. 9720-02  
DIRECTIONAL POST

Drawing No.  
W-9720-02

Sheet  
1 of 1