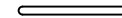



TRAINING ENVELOPE
 8'-2" X 2'-6" (2.5m X 0.8m)
 CLEARANCE SPACE
 14'-2" X 8'-6" (4.4m X 2.6m)

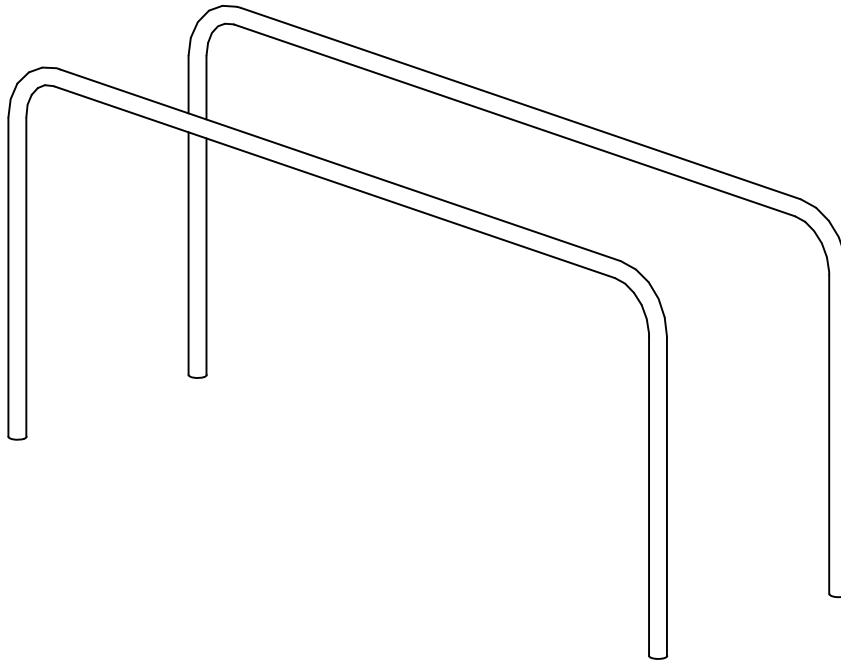


ARM-WALK SIGN NO. 9716-S
 IS INCLUDED WITH FITNESS
 ROUTE STATION 9716.

TOP VIEW


NOT FOR CONSTRUCTION. CONTACT COLUMBIA CASCADE COMPANY FOR INSTALLATION INSTRUCTIONS.

Date Revision By △ △ △		 COLUMBIA CASCADE COMPANY Makers of TimberForm®, PipeLine®, RePlay® TimberForm®-2 and CycLoops® Products.	Title: PIPELINE FITNESS ROUTE MODEL NO. 9716 ARM-WALK
△ 03-14-17 T. ENVELOPE ES/CL			
Scale 3/16" = 1'-0"	Drawn by: TB Ck'd by:	1300 S.W. Sixth Avenue, Suite 310 Telephone 503/223-1157 Portland, Oregon 97201-3464 Facsimile 503/223-4530 U.S.A.	Drawing No. W-9716
This drawing reveals the copyrighted intellectual property of Columbia Cascade Company. Not for use by others without our express, written authorization.		Sheet 1 of 2	



ISOMETRIC VIEW

NOT FOR CONSTRUCTION. CONTACT COLUMBIA CASCADE COMPANY FOR INSTALLATION INSTRUCTIONS.

<table border="1"> <thead> <tr> <th>Date</th> <th>Revision</th> <th>By</th> </tr> </thead> <tbody> <tr> <td>△</td> <td></td> <td></td> </tr> <tr> <td>△</td> <td></td> <td></td> </tr> <tr> <td>△</td> <td></td> <td></td> </tr> <tr> <td>△</td> <td>03-15-17</td> <td>T. ENVELOPE ES/CL</td> </tr> </tbody> </table>		Date	Revision	By	△			△			△			△	03-15-17	T. ENVELOPE ES/CL	 <p>COLUMBIA CASCADE COMPANY Makers of TimberForm®, PipeLine®, RePlay® TimberForm®-2 and CycLoops® Products.</p> <p>1300 S.W. Sixth Avenue, Suite 310 Telephone 503/223-1157 Portland, Oregon 97201-3464 Facsimile 503/223-4530 U.S.A.</p>	<p><i>Title:</i> PIPELINE FITNESS ROUTE MODEL NO. 9716 ARM-WALK</p>
Date	Revision	By																
△																		
△																		
△																		
△	03-15-17	T. ENVELOPE ES/CL																
<p>Scale NONE</p>	<p>Drawn by: TB 03-12-96</p> <p>Ck'd by:</p>	<p>This drawing reveals the copyrighted intellectual property of Columbia Cascade Company. Not for use by others without our express, written authorization.</p>	<p><i>Drawing No.</i> W-9716</p>	<p><i>Sheet</i> 2 of 2</p>														