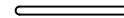


TRAINING ENVELOPE  
 7'-10" X 6'-9" (2.4m X 2.1m)  
 CLEARANCE SPACE  
 13'-10" X 12'-9" (4.3m X 3.9m)



LEG-OVER SIGN NO. 9715-S  
 IS INCLUDED WITH FITNESS  
 ROUTE STATION 9715.

TOP VIEW

**NOT FOR CONSTRUCTION. CONTACT COLUMBIA CASCADE COMPANY FOR INSTALLATION INSTRUCTIONS.**

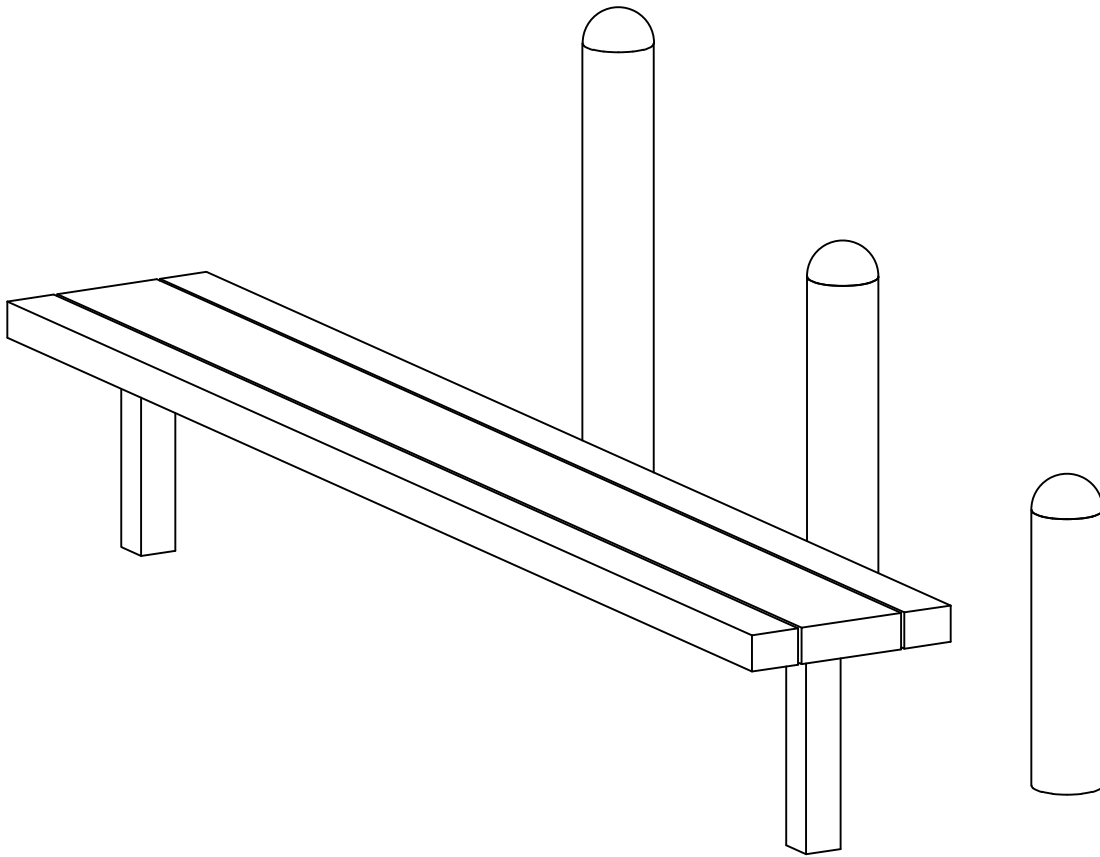
Date	Revision	By
△		
△		
△		
△	03-14-17	T. ENVELOPE ES/CL
Scale	Drawn by: TB	03-12-96
3/16" = 1'-0"	Ch'd by:	

**COLUMBIA CASCADE COMPANY**  
 Makers of TimberForm®, PipeLine®, RePlay®  
 TimberForm®-2 and CycLoops® Products.

1300 S.W. Sixth Avenue, Suite 310 Telephone 503/223-1157  
 Portland, Oregon 97201-3464 Facsimile 503/223-4530  
 U.S.A.

This drawing reveals the copyrighted intellectual property of Columbia Cascade Company. Not for use by others without our express, written authorization.

Title: PIPELINE FITNESS ROUTE MODEL NO. 9715 LEG-OVER (WOOD SLATS)	
Drawing No. W-9715	Sheet 1 of 2



ISOMETRIC VIEW

**NOT FOR CONSTRUCTION. CONTACT COLUMBIA CASCADE COMPANY FOR INSTALLATION INSTRUCTIONS.**

Date	Revision	By
△		
△		
△		
△	03-14-17	T. ENVELOPE ES/CL
Scale	Drawn by: TB	03-12-96
NONE	Ck'd by:	

**COLUMBIA CASCADE COMPANY**  
 Makers of TimberForm®, PipeLine®, RePlay®  
 TimberForm®-2 and CycLoops® Products.

1300 S.W. Sixth Avenue, Suite 310 Telephone 503/223-1157  
 Portland, Oregon 97201-3464 Facsimile 503/223-4530  
 U.S.A.

This drawing reveals the copyrighted intellectual property of Columbia Cascade Company. Not for use by others without our express, written authorization.

Title: PIPELINE FITNESS ROUTE MODEL NO. 9715 LEG-OVER	
Drawing No. W-9715	Sheet 2 of 2