

TRAINING ENVELOPE  
 7'-9" X 9'-1" (2.4m X 2.8m)  
 CLEARANCE SPACE  
 13'-9" X 15'-1" (4.2m X 4.6m)

—————  
 SIT-UP SIGN NO. 9713-S  
 IS INCLUDED WITH FITNESS  
 ROUTE STATION 9713.

TOP VIEW

**NOT FOR CONSTRUCTION. CONTACT COLUMBIA CASCADE COMPANY FOR INSTALLATION INSTRUCTIONS.**

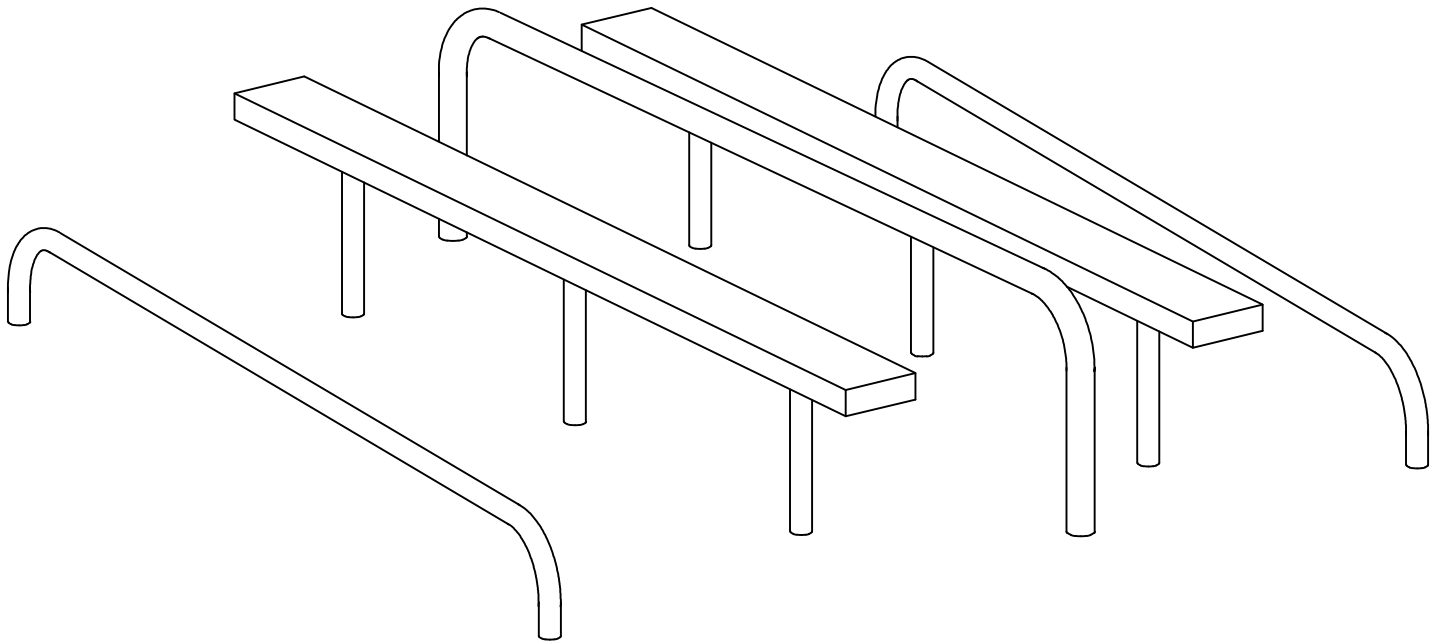
Date	Revision	By
△		
△		
△		
△	03-15-17	T. ENVELOPE ES/CL
Scale	Drawn by: TB	03-12-96
3/16" = 1'-0"	Ch'd by:	

**COLUMBIA CASCADE COMPANY**  
 Makers of TimberForm®, PipeLine®, RePlay®  
 TimberForm®-2 and CycLoops® Products.

1300 S.W. Sixth Avenue, Suite 310 Telephone 503/223-1157  
 Portland, Oregon 97201-3464 Facsimile 503/223-4530  
 U.S.A.

This drawing reveals the copyrighted intellectual property of Columbia Cascade Company. Not for use by others without our express, written authorization.

Title: PIPELINE FITNESS ROUTE MODEL NO. 9713 SIT-UP (WOOD SLATS)	Drawing No. W-9713	Sheet 1 of 2
--	-----------------------	-----------------



ISOMETRIC VIEW

**NOT FOR CONSTRUCTION. CONTACT COLUMBIA CASCADE COMPANY FOR INSTALLATION INSTRUCTIONS.**

Date	Revision	By
△		
△		
△		
△	03-15-17	T. ENVELOPE ES/CL
Scale	Drawn by: TB	03-12-96
NONE	Ch'd by:	

**COLUMBIA CASCADE COMPANY**  
 Makers of TimberForm®, PipeLine®, RePlay®  
 TimberForm®-2 and CycLoops® Products.

1300 S.W. Sixth Avenue, Suite 310 Telephone 503/223-1157  
 Portland, Oregon 97201-3464 Facsimile 503/223-4530  
 U.S.A.

Title:  
 PIPELINE FITNESS ROUTE  
 MODEL NO. 9713  
 SIT-UP  
 (WOOD SLATS)

This drawing reveals the copyrighted intellectual property of Columbia Cascade Company. Not for use by others without our express, written authorization.

Drawing No.  
 W-9713

Sheet  
 2 of 2