

TRAINING ENVELOPE  
 7'-9" X 9'-1" (2.4m X 2.8m)  
 CLEARANCE SPACE  
 13'-9" X 15'-1" (4.2m X 4.6m)

—————  
 SIT-UP SIGN NO. 9713-S  
 IS INCLUDED WITH FITNESS  
 ROUTE STATION 9713-03.

TOP VIEW

**NOT FOR CONSTRUCTION. CONTACT COLUMBIA CASCADE COMPANY FOR INSTALLATION INSTRUCTIONS.**

| Date          | Revision     | By                |
|---------------|--------------|-------------------|
| △             |              |                   |
| △             |              |                   |
| △             |              |                   |
| △             | 03-15-17     | T. ENVELOPE ES/CL |
| Scale         | Drawn by: AT | 05-11-07          |
| 3/16" = 1'-0" | Ch'd by:     |                   |

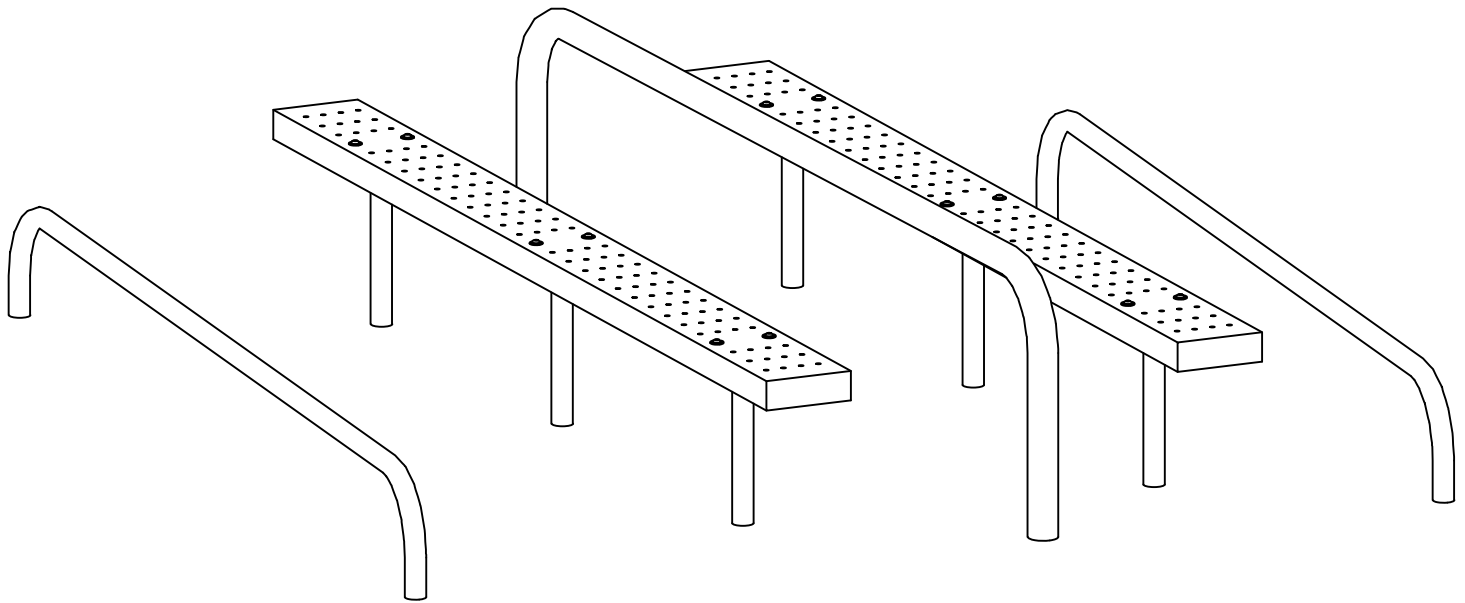
**COLUMBIA CASCADE COMPANY**  
 Makers of TimberForm®, PipeLine®, RePlay®  
 TimberForm®-2 and CycLoops® Products.  
 1300 S.W. Sixth Avenue, Suite 310 Telephone 503/223-1157  
 Portland, Oregon 97201-3464 Facsimile 503/223-4530  
 U.S.A.

Title:  
 PIPELINE FITNESS ROUTE  
 MODEL NO. 9713-03  
 SIT-UP  
 (SOFDEK BENCH TOPS)

This drawing reveals the copyrighted intellectual property of Columbia Cascade Company. Not for use by others without our express, written authorization.

Drawing No.  
 W-9713-03

Sheet  
 1 of 2



ISOMETRIC VIEW

**NOT FOR CONSTRUCTION. CONTACT COLUMBIA CASCADE COMPANY FOR INSTALLATION INSTRUCTIONS.**

| Date  | Revision     | By                |
|-------|--------------|-------------------|
| △     |              |                   |
| △     |              |                   |
| △     |              |                   |
| △     | 03-15-17     | T. ENVELOPE ES/CL |
| Scale | Drawn by: AT | 10-30-03          |
| NONE  | Ch'd by:     |                   |

**COLUMBIA CASCADE COMPANY**  
 Makers of TimberForm®, PipeLine®, RePlay®  
 TimberForm®-2 and CycLoops® Products.

1300 S.W. Sixth Avenue, Suite 310 Telephone 503/223-1157  
 Portland, Oregon 97201-3464 Facsimile 503/223-4530  
 U.S.A.

This drawing reveals the copyrighted intellectual property of Columbia Cascade Company. Not for use by others without our express, written authorization.

|  |                          |                 |
|--|--------------------------|-----------------|
| Title:<br>PIPELINE FITNESS ROUTE<br>MODEL NO. 9713-03<br>SIT-UP<br>(SOFDEK BENCH TOPS) | Drawing No.<br>W-9713-03 | Sheet<br>2 of 2 |
|--|--------------------------|-----------------|