

TRAINING ENVELOPE
 7'-9" X 9'-1" (2.4m X 2.8m)
 CLEARANCE SPACE
 13'-9" X 15'-1" (4.2m X 4.6m)

—————
 SIT-UP SIGN NO. 9713-S
 IS INCLUDED WITH FITNESS
 ROUTE STATION 9713-02.

TOP VIEW

NOT FOR CONSTRUCTION. CONTACT COLUMBIA CASCADE COMPANY FOR INSTALLATION INSTRUCTIONS.

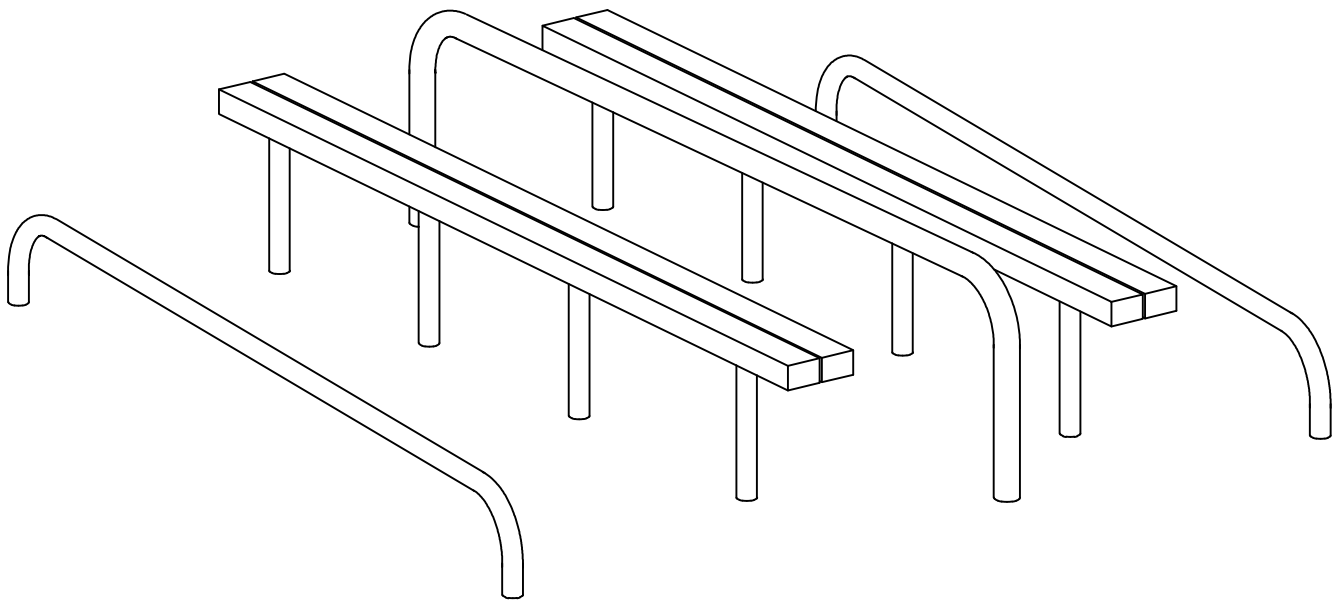
Date	Revision	By
△		
△		
△		
△	03-15-17	T. ENVELOPE ES/CL
Scale	Drawn by: AT	05-11-07
3/16" = 1'-0"	Ch'd by:	

COLUMBIA CASCADE COMPANY
 Makers of TimberForm®, PipeLine®, RePlay®
 TimberForm®-2 and CycLoops® Products.

1300 S.W. Sixth Avenue, Suite 310 Telephone 503/223-1157
 Portland, Oregon 97201-3464 Facsimile 503/223-4530
 U.S.A.


This drawing reveals the copyrighted intellectual property of Columbia Cascade Company. Not for use by others without our express, written authorization.

Title: PIPELINE FITNESS ROUTE MODEL NO. 9713-02 SIT-UP (RECYCLED PLASTIC SLATS)	
Drawing No. W-9713-02	Sheet 1 of 2



ISOMETRIC VIEW

NOT FOR CONSTRUCTION. CONTACT COLUMBIA CASCADE COMPANY FOR INSTALLATION INSTRUCTIONS.

△ Date Revision By		 COLUMBIA CASCADE COMPANY Makers of TimberForm®, PipeLine®, RePlay® TimberForm®-2 and CycLoops® Products.	Title: PIPELINE FITNESS ROUTE MODEL NO. 9713-02 SIT-UP (RECYCLED PLASTIC SLATS)
△			
△			
△ 03-14-17 T. ENVELOPE ES/CL			
Scale NONE	Drawn by: AT 05-11-07 Ck'd by:	1300 S.W. Sixth Avenue, Suite 310 Telephone 503/223-1157 Portland, Oregon 97201-3464 Facsimile 503/223-4530 U.S.A.	Drawing No. W-9713-02
This drawing reveals the copyrighted intellectual property of Columbia Cascade Company. Not for use by others without our express, written authorization.		Sheet 2 of 2	