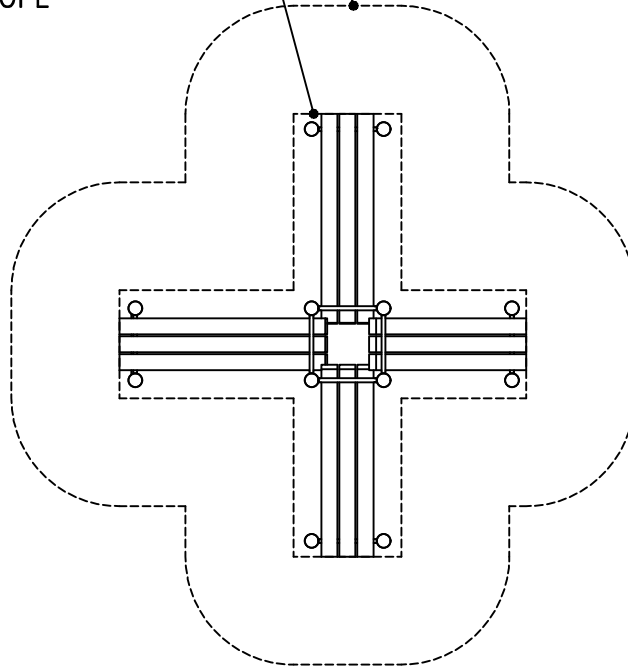


CLEARANCE SPACE

TRAINING ENVELOPE



TRAINING ENVELOPE
 11'-4" X 12'-4" (3.5m X 3.8m)
 CLEARANCE SPACE
 17'-4" X 18'-4" (5.3m X 5.6m)

—————
 BODY-TUCK SIGN NO. 9709-S
 IS INCLUDED WITH FITNESS
 ROUTE STATION 9709.

TOP VIEW

NOT FOR CONSTRUCTION. CONTACT COLUMBIA CASCADE COMPANY FOR INSTALLATION INSTRUCTIONS.

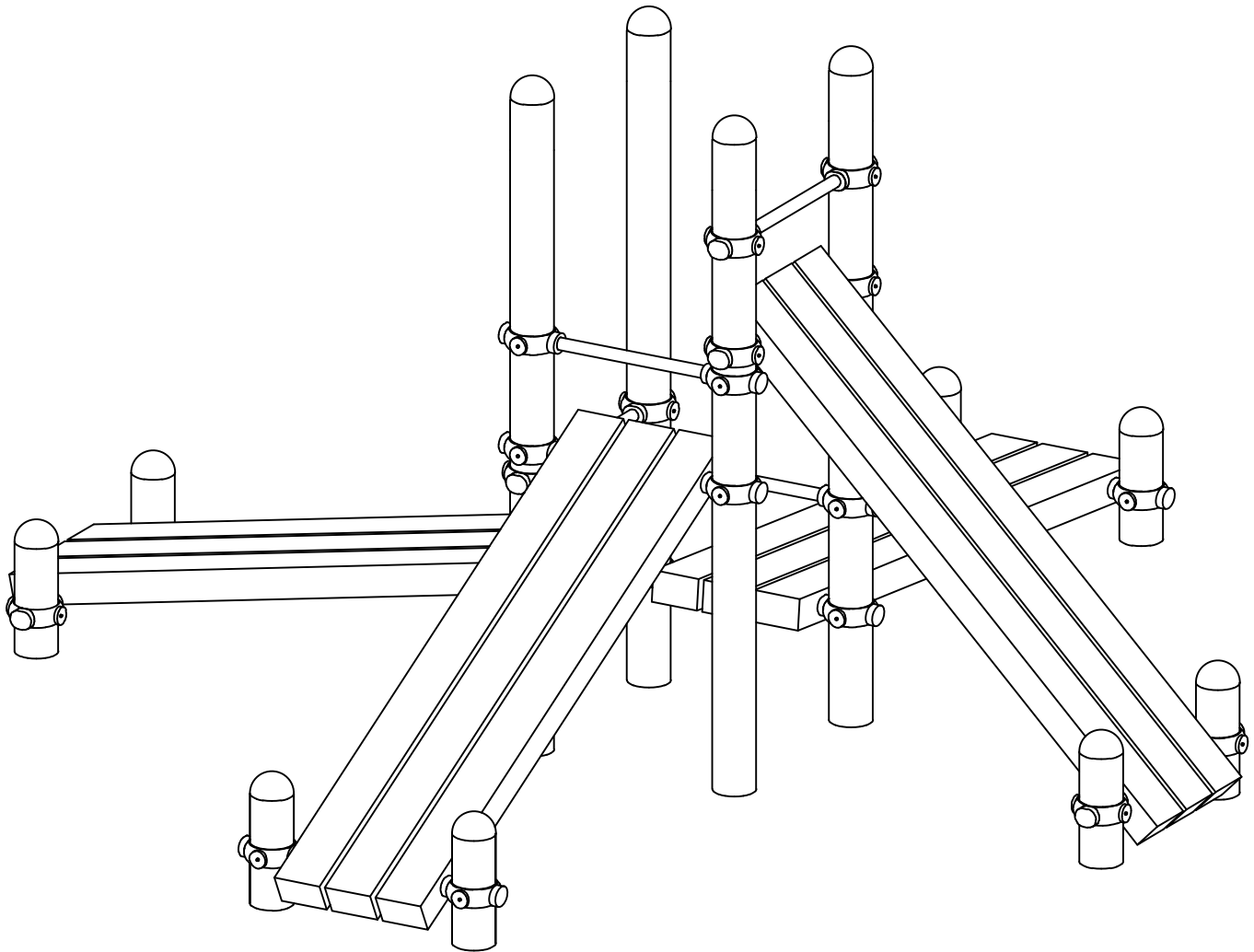
| Date | Revision | By |
|------------------------|--------------|----------|
| △ | | |
| △ | | |
| △ | | |
| △ 03-14-17 | T. ENVELOPE | ES/CL |
| Scale 3/16" = 1'-0" | Drawn by: TB | 03-12-96 |
| | Ch'd by: | |

COLUMBIA CASCADE COMPANY
 Makers of TimberForm®, PipeLine®, RePlay®
 TimberForm®-2 and CycLoops® Products.

1300 S.W. Sixth Avenue, Suite 310 Telephone 503/223-1157
 Portland, Oregon 97201-3464 Facsimile 503/223-4530
 U.S.A.

This drawing reveals the copyrighted intellectual property of Columbia Cascade Company. Not for use by others without our express, written authorization.

| | |
|---|-----------------|
| Title: PIPELINE FITNESS ROUTE MODEL NO. 9709 BODY-TUCK (WOOD SLATS) | |
| Drawing No. W-9709 | Sheet 1 of 2 |



ISOMETRIC VIEW

NOT FOR CONSTRUCTION. CONTACT COLUMBIA CASCADE COMPANY FOR INSTALLATION INSTRUCTIONS.

| Date | Revision | By |
|-------|--------------|-------------------|
| △ | | |
| △ | | |
| △ | | |
| △ | 03-14-17 | T. ENVELOPE ES/CL |
| Scale | Drawn by: TB | 03-12-96 |
| NONE | Ck'd by: | |

COLUMBIA CASCADE COMPANY
 Makers of TimberForm®, PipeLine®, RePlay®
 TimberForm®-2 and CycLoops® Products.

1300 S.W. Sixth Avenue, Suite 310 Telephone 503/223-1157
 Portland, Oregon 97201-3464 Facsimile 503/223-4530
 U.S.A.

This drawing reveals the copyrighted intellectual property of Columbia Cascade Company. Not for use by others without our express, written authorization.

| | | |
|---|-----------------------|-----------------|
| Title: PIPELINE FITNESS ROUTE MODEL NO. 9709 BODY-TUCK (WOOD SLATS) | Drawing No. W-9709 | Sheet 2 of 2 |
|---|-----------------------|-----------------|