

TRAINING ENVELOPE
 12'-10" X 12'-10" (4.0m X 4.0m)
 CLEARANCE SPACE
 18'-10" X 18'-10" (5.8m X 5.8m)

TOE-REACH SIGN NO. 9702-S
 IS INCLUDED WITH FITNESS
 ROUTE STATION 9702-02.

TOP VIEW

NOT FOR CONSTRUCTION. CONTACT COLUMBIA CASCADE COMPANY FOR INSTALLATION INSTRUCTIONS.

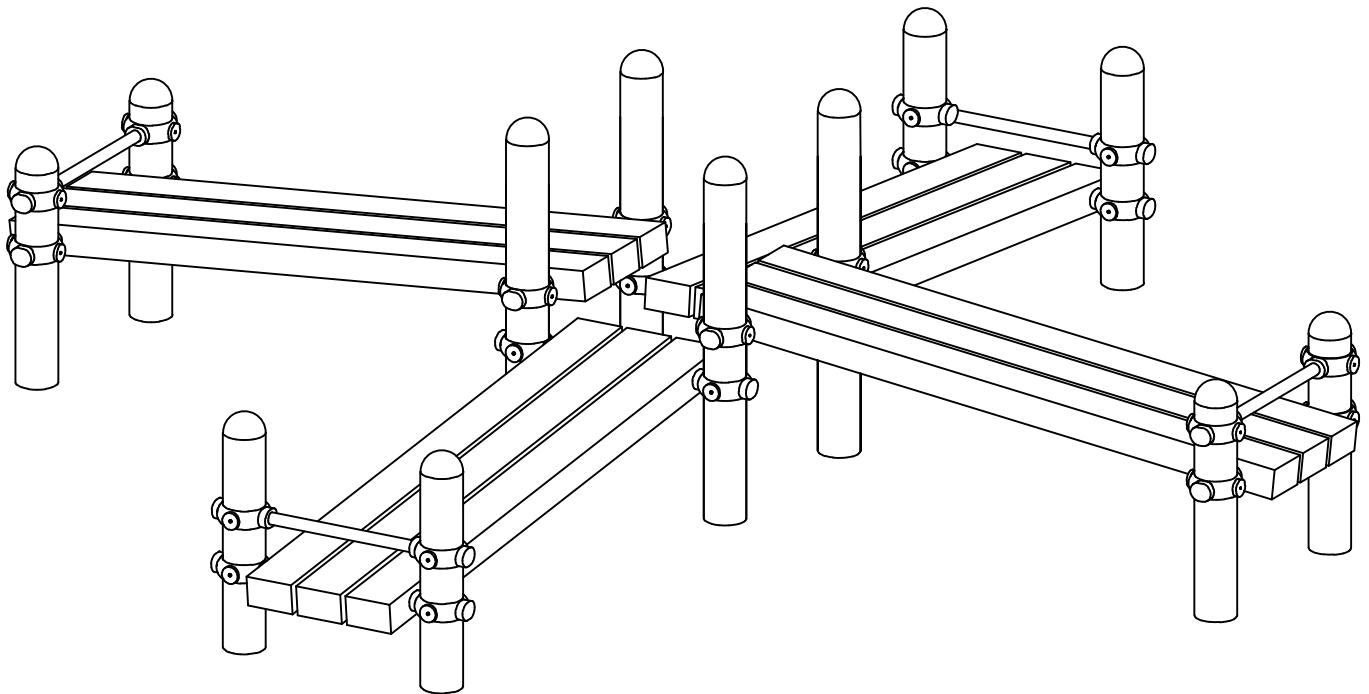
Date	Revision	By
△		
△		
△		
△	03-14-17	T. ENVELOPE ES/CL
Scale	Drawn by: TB	03-12-96
3/16" = 1'-0"	Ch'd by:	

COLUMBIA CASCADE COMPANY
 Makers of TimberForm®, PipeLine®, RePlay®
 TimberForm®-2 and CycLoops® Products.

1300 S.W. Sixth Avenue, Suite 310 Telephone 503/223-1157
 Portland, Oregon 97201-3464 Facsimile 503/223-4530
 U.S.A.

This drawing reveals the copyrighted intellectual property of Columbia Cascade Company. Not for use by others without our express, written authorization.

Title: PIPELINE FITNESS ROUTE MODEL NO. 9702-02 TOE-REACH (RECYCLED PLASTIC SLATS)	Drawing No. W-9702-02	Sheet 1 of 2
--	--------------------------	-----------------



ISOMETRIC VIEW

NOT FOR CONSTRUCTION. CONTACT COLUMBIA CASCADE COMPANY FOR INSTALLATION INSTRUCTIONS.

<table border="1"> <thead> <tr> <th>Date</th> <th>Revision</th> <th>By</th> </tr> </thead> <tbody> <tr> <td>△</td> <td></td> <td></td> </tr> <tr> <td>△</td> <td></td> <td></td> </tr> <tr> <td>△</td> <td></td> <td></td> </tr> </tbody> </table>	Date	Revision	By	△			△			△			<p>COLUMBIA CASCADE COMPANY Makers of TimberForm®, PipeLine®, RePlay® TimberForm®-2 and CycLoops® Products.</p> <p>1300 S.W. Sixth Avenue, Suite 310 Telephone 503/223-1157 Portland, Oregon 97201-3464 Facsimile 503/223-4530 U.S.A.</p> <p>This drawing reveals the copyrighted intellectual property of Columbia Cascade Company. Not for use by others without our express, written authorization.</p>	<p>Title: PIPELINE FITNESS ROUTE MODEL NO. 9702-02 TOE-REACH (RECYCLED PLASTIC SLATS)</p> <p>Drawing No. W-9702-02</p>
Date	Revision	By												
△														
△														
△														
<table border="1"> <tr> <td>△ 03-14-17</td> <td>T. ENVELOPE</td> <td>ES/CL</td> </tr> <tr> <td>Scale</td> <td>Drawn by: TB</td> <td>03-12-96</td> </tr> <tr> <td>NONE</td> <td>Ck'd by:</td> <td></td> </tr> </table>	△ 03-14-17	T. ENVELOPE	ES/CL	Scale	Drawn by: TB	03-12-96	NONE	Ck'd by:			<p>Sheet 2 of 2</p>			
△ 03-14-17	T. ENVELOPE	ES/CL												
Scale	Drawn by: TB	03-12-96												
NONE	Ck'd by:													