

EXERCISE ACTIVITIES

1. LEG-OVER
2. ARM-WALK
3. HOP-OVER

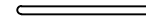
TRAINING ENVELOPE

23'-0" X 13'-7" (7.0m X 4.2m)

CLEARANCE SPACE

29'-0" X 19'-7" (8.9m X 6.0m)

(ONE POSSIBLE COMBINATION)



GROUP D SIGN NO. 9700-DS
IS INCLUDED WITH GROUP D

TOP VIEW

NOT FOR CONSTRUCTION. CONTACT COLUMBIA CASCADE COMPANY FOR INSTALLATION INSTRUCTIONS.

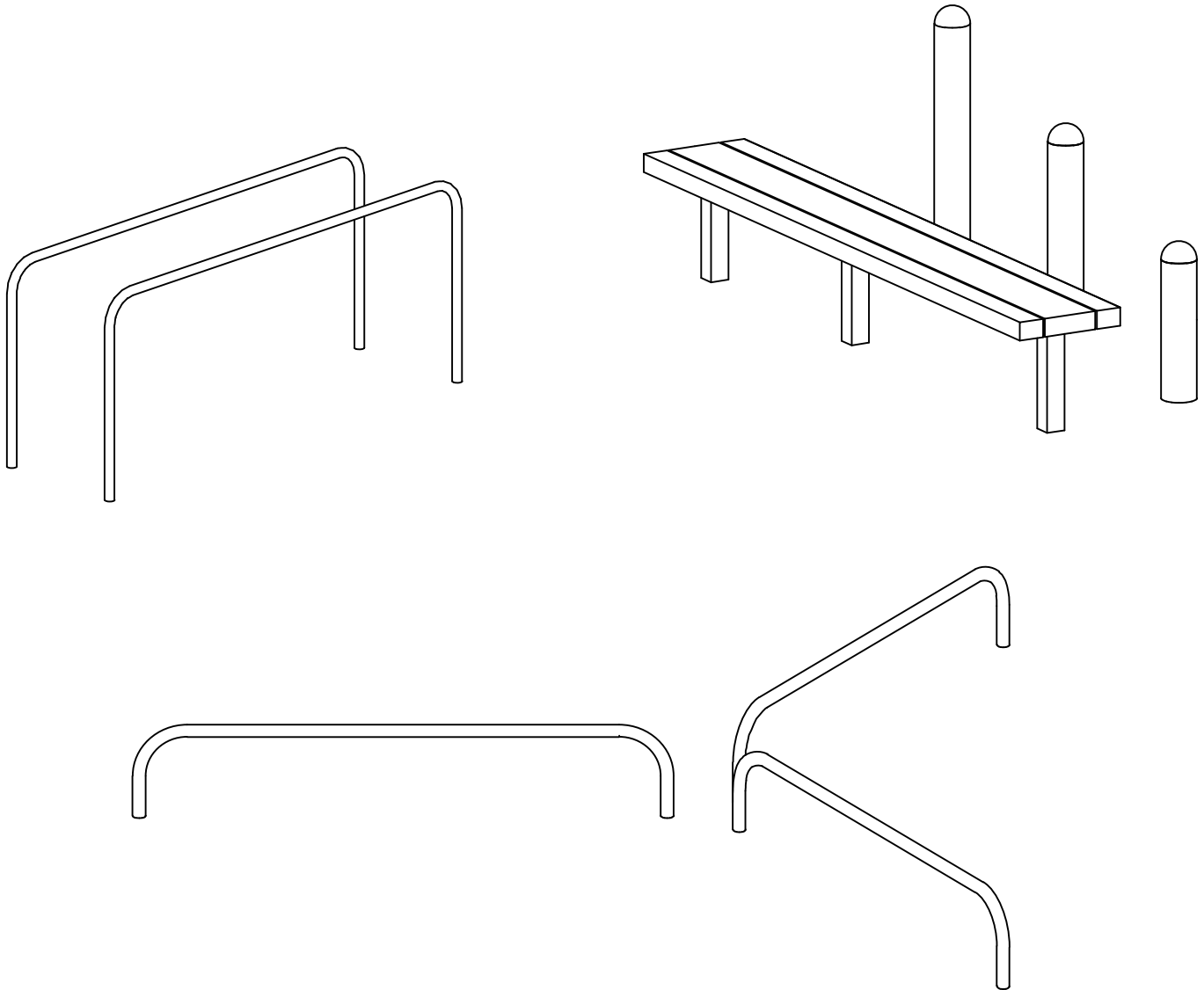
Date	Revision	By
△		
△		
△		
△	03-09-17	T. ENVELOPE ES/CL
Scale	Drawn by: TB	10-12-95
3/16" = 1'-0"	Ck'd by:	

COLUMBIA CASCADE COMPANY
 Makers of TimberForm®, PipeLine®, RePlay®
 TimberForm®-2 and CycLoops® Products.
 1300 S.W. Sixth Avenue, Suite 310 Telephone 503/223-1157
 Portland, Oregon 97201-3464 Facsimile 503/223-4530
 U.S.A.

Title:
 PIPELINE FITNESS CLUSTER
 MODEL NO. 9700-D
 PIPELINE GROUP D
 (WOOD SLATS)

Drawing No. W-9700-D Sheet 1 of 2

This drawing reveals the copyrighted intellectual property of Columbia Cascade Company. Not for use by others without our express, written authorization.



ISOMETRIC VIEW

NOT FOR CONSTRUCTION. CONTACT COLUMBIA CASCADE COMPANY FOR INSTALLATION INSTRUCTIONS.

Date	Revision	By
△		
△		
△		
△	03-09-17	T. ENVELOPE ES/CL
Scale	Drawn by: TB	10-12-95
NONE	Ch'd by:	

COLUMBIA CASCADE COMPANY
 Makers of TimberForm®, PipeLine®, RePlay®
 TimberForm®-2 and CycLoops® Products.
 1300 S.W. Sixth Avenue, Suite 310 Telephone 503/223-1157
 Portland, Oregon 97201-3464 Facsimile 503/223-4530
 U.S.A.

Title:
 PIPELINE FITNESS CLUSTER
 MODEL NO. 9700-D
 PIPELINE GROUP D
 (WOOD SLATS)

This drawing reveals the copyrighted intellectual property of Columbia Cascade Company. Not for use by others without our express, written authorization.

Drawing No.
 W-9700-D

Sheet
 2 of 2