

**EXERCISE ACTIVITIES**

- 1. LEG-FLEX
- 2. BODY-TUCK
- 3. BODY-PULL

**TRAINING ENVELOPE**

19'-2" X 14'-6" (5.9m X 4.5m)

**CLEARANCE SPACE**

25'-2" X 20'-6" (7.7m X 6.3m)

GROUP C SIGN NO. 9700-CS  
IS INCLUDED WITH GROUP C

TOP VIEW

**NOT FOR CONSTRUCTION. CONTACT COLUMBIA CASCADE COMPANY FOR INSTALLATION INSTRUCTIONS.**

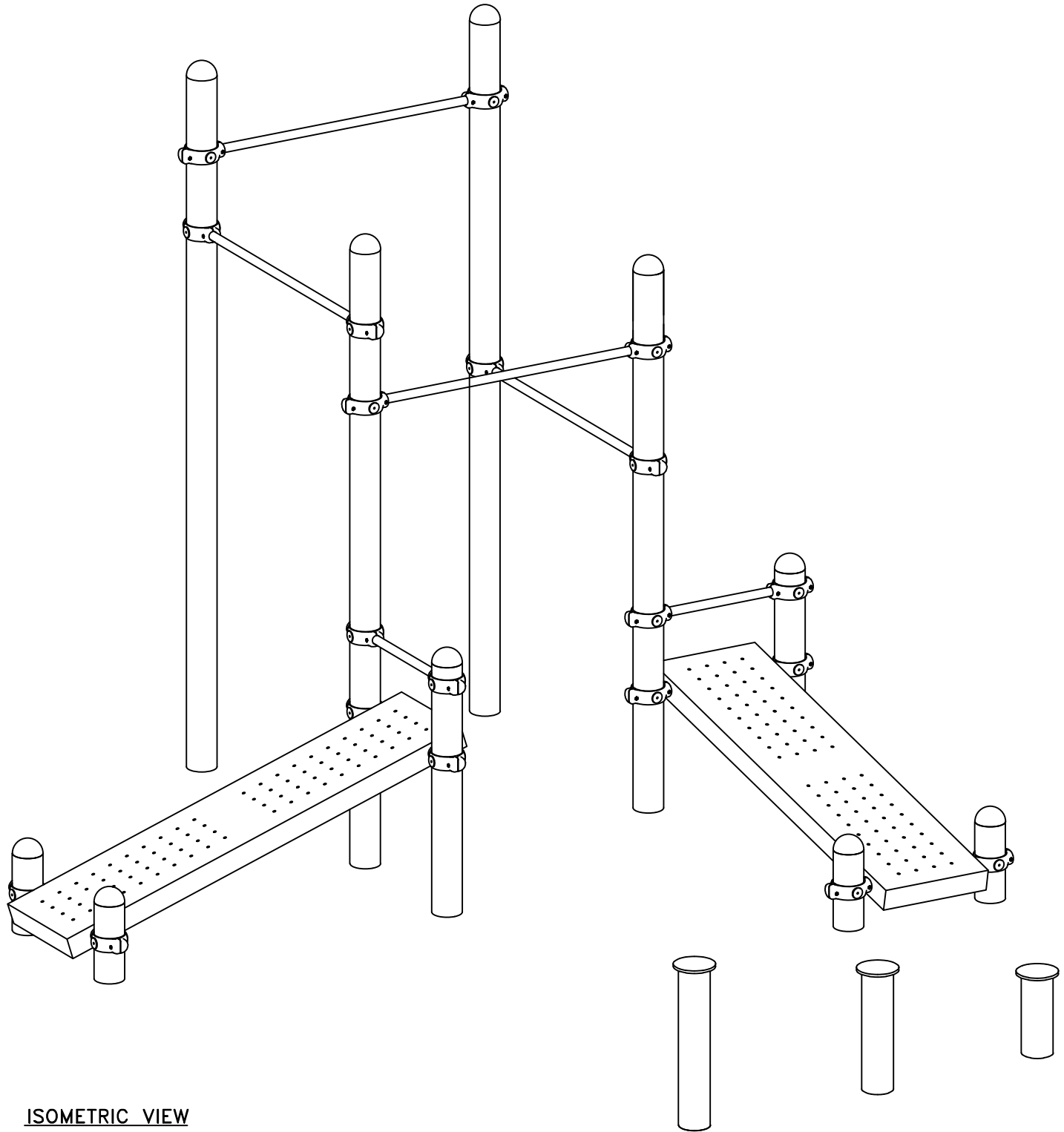
Date	Revision	By
△		
△		
△		
△	03-09-17	T. ENVELOPE ES/CL
Scale	Drawn by: TB	10-30-03
3/16" = 1'-0"	Ck'd by:	

**COLUMBIA CASCADE COMPANY**  
 Makers of TimberForm®, PipeLine®, RePlay®  
 TimberForm®-2 and CycLoops® Products.

1300 S.W. Sixth Avenue, Suite 310 Telephone 503/223-1157  
 Portland, Oregon 97201-3464 Facsimile 503/223-4530  
 U.S.A.

This drawing reveals the copyrighted intellectual property of Columbia Cascade Company. Not for use by others without our express, written authorization.

Title: PIPELINE FITNESS CLUSTER MODEL NO. 9700-03-C PIPELINE GROUP C (SOFDEK BENCH TOPS)	Drawing No. W-9700-03-C	Sheet 1 of 2
--	----------------------------	-----------------



ISOMETRIC VIEW

**NOT FOR CONSTRUCTION. CONTACT COLUMBIA CASCADE COMPANY FOR INSTALLATION INSTRUCTIONS.**

Date	Revision	By
△		
△		
△		
△ 03-09-17	T. ENVELOPE	ES/CL
Scale NONE	Drawn by: AT Ck'd by:	05-11-07

**COLUMBIA CASCADE COMPANY**  
 Makers of TimberForm®, PipeLine®, RePlay®  
 TimberForm®-2 and CycLoops® Products.

1300 S.W. Sixth Avenue, Suite 310 Telephone 503/223-1157  
 Portland, Oregon 97201-3464 Facsimile 503/223-4530  
 U.S.A.

This drawing reveals the copyrighted intellectual property of Columbia Cascade Company. Not for use by others without our express, written authorization.

Title:  
 PIPELINE FITNESS CLUSTER  
 MODEL NO. 9700-03-C  
 PIPELINE GROUP C  
 (SOFDEK BENCH TOPS)

Drawing No. W-9700-03-C

Sheet 2 of 2