

EXERCISE ACTIVITIES

1. VAULT-OVER
2. SIT-UP
3. PUSH-OFF

GROUP B SIGN NO. 9700-BS
IS INCLUDED WITH GROUP B

TRAINING ENVELOPE

21'-0" X 21'-0" (6.4m X 6.4m)

CLEARANCE SPACE

27'-0" X 27'-0" (8.3m X 8.3m)

(ONE POSSIBLE COMBINATION)

TOP VIEW

NOT FOR CONSTRUCTION. CONTACT COLUMBIA CASCADE COMPANY FOR INSTALLATION INSTRUCTIONS.

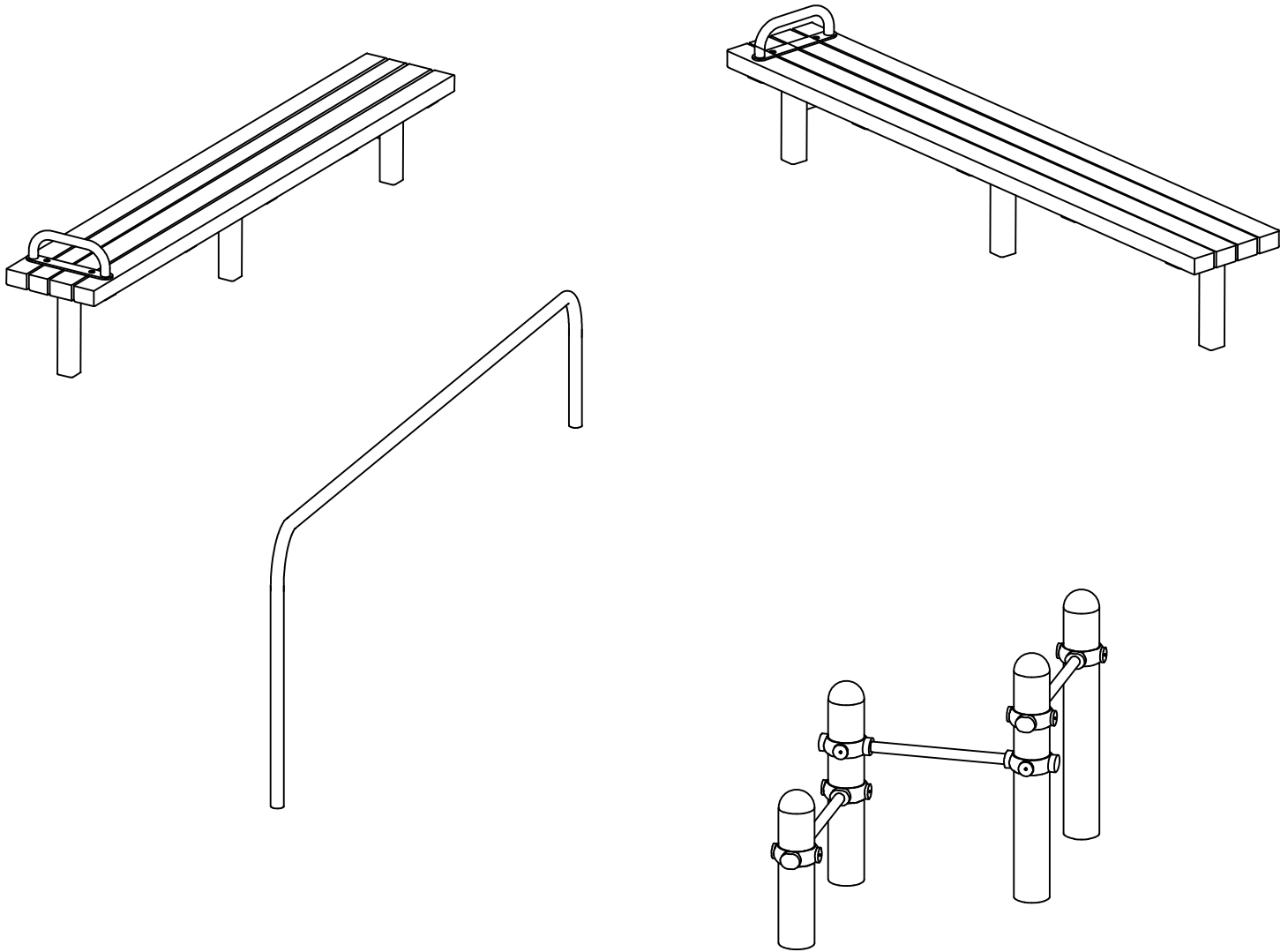
Date	Revision	By
△		
△		
△		
△	03-09-17	T. ENVELOPE ES/CL
Scale	Drawn by: TB	10-12-95
3/16" = 1'-0"	Ch'd by:	

COLUMBIA CASCADE COMPANY
 Makers of TimberForm®, PipeLine®, RePlay®
 TimberForm®-2 and CycLoops® Products.

1300 S.W. Sixth Avenue, Suite 310 Telephone 503/223-1157
 Portland, Oregon 97201-3464 Facsimile 503/223-4530
 U.S.A.

This drawing reveals the copyrighted intellectual property of Columbia Cascade Company. Not for use by others without our express, written authorization.

Title: PIPELINE FITNESS CLUSTER MODEL NO. 9700-02-B PIPELINE GROUP B (RECYCLED PLASTIC SLATS)	Drawing No. W-9700-02-B	Sheet 1 of 2
---	----------------------------	-----------------



ISOMETRIC VIEW

NOT FOR CONSTRUCTION. CONTACT COLUMBIA CASCADE COMPANY FOR INSTALLATION INSTRUCTIONS.

Date	Revision	By
△		
△		
△		
△	03-09-17	T. ENVELOPE ES/CL
Scale	Drawn by: TB	10-12-95
NONE	Ch'd by:	

COLUMBIA CASCADE COMPANY
 Makers of TimberForm®, PipeLine®, RePlay®
 TimberForm®-2 and CycLoops® Products.

1300 S.W. Sixth Avenue, Suite 310 Telephone 503/223-1157
 Portland, Oregon 97201-3464 Facsimile 503/223-4530
 U.S.A.

This drawing reveals the copyrighted intellectual property of Columbia Cascade Company. Not for use by others without our express, written authorization.

Title: PIPELINE FITNESS CLUSTER MODEL NO. 9700-02-B PIPELINE GROUP B (RECYCLED PLASTIC SLATS)	Drawing No. W-9700-02-B	Sheet 2 of 2
---	----------------------------	-----------------