

TRAINING ENVELOPE
 13'-11" X 12'-0" (4.3m X 3.7m)
 CLEARANCE SPACE
 19'-11" X 18'-0" (6.1m X 5.5m)

HIP-FLEX SIGN NO. 5117-S
 IS INCLUDED WITH FITNESS
 STATION 5117-03.

TOP VIEW

NOT FOR CONSTRUCTION. CONTACT COLUMBIA CASCADE COMPANY FOR INSTALLATION INSTRUCTIONS.

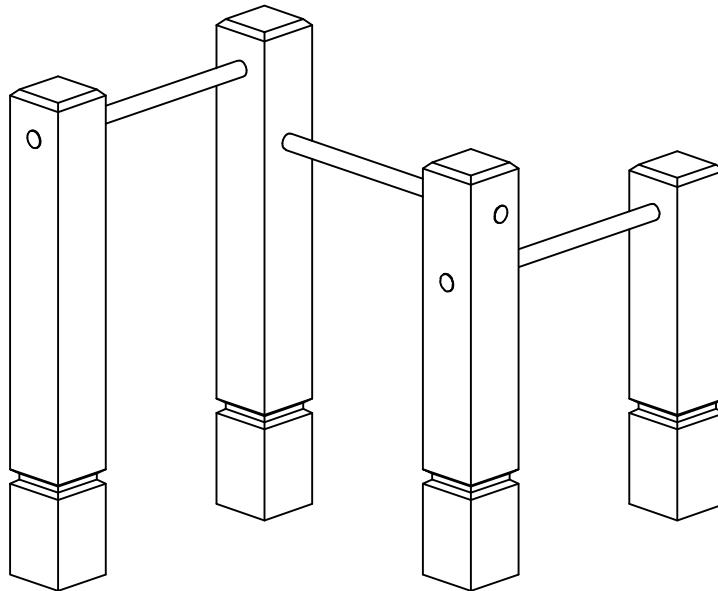
Date	Revision	By
△		
△		
△		
△	03-22-17	T. ENVELOPE ES/CL
Scale	Drawn by: TB	12-10-10
3/16" = 1'-0"	Ch'd by:	

COLUMBIA CASCADE COMPANY
 Makers of TimberForm®, PipeLine®, RePlay®
 TimberForm®-2 and CycLoops® Products.

1300 S.W. Sixth Avenue, Suite 310 Telephone 503/223-1157
 Portland, Oregon 97201-3464 Facsimile 503/223-4530
 U.S.A.

This drawing reveals the copyrighted intellectual property of Columbia Cascade Company. Not for use by others without our express, written authorization.

Title: TIMBERFORM FITNESS ROUTE MODEL NO. 5117-03 HIP-FLEX	
Drawing No. W-5117-03	Sheet 1 of 2



ISOMETRIC VIEW

NOT FOR CONSTRUCTION. CONTACT COLUMBIA CASCADE COMPANY FOR INSTALLATION INSTRUCTIONS.

Date	Revision	By
△		
△		
△		
△	03-22-17	T. ENVELOPE ES/CL
Scale	Drawn by: TB	12-10-10
NONE	Ch'd by:	

COLUMBIA CASCADE COMPANY
 Makers of TimberForm®, PipeLine®, RePlay®
 TimberForm®-2 and CycLoops® Products.

1300 S.W. Sixth Avenue, Suite 310 Telephone 503/223-1157
 Portland, Oregon 97201-3464 Facsimile 503/223-4530
 U.S.A.

This drawing reveals the copyrighted intellectual property of Columbia Cascade Company. Not for use by others without our express, written authorization.

Title: TIMBERFORM FITNESS ROUTE MODEL NO. 5117-03 HIP- FLEX	Drawing No. W-5117-03	Sheet 2 of 2
--	--------------------------	-----------------