

TRAINING ENVELOPE
 12'-0" X 13'-11" (3.7m X 4.3m)
 CLEARANCE SPACE
 18'-0" X 19'-11" (5.5m X 6.1m)

PUSH-OFF SIGN NO. 5114-S
 IS INCLUDED WITH FITNESS
 STATION 5114.

TOP VIEW

NOT FOR CONSTRUCTION. CONTACT COLUMBIA CASCADE COMPANY FOR INSTALLATION INSTRUCTIONS.

Date	Revision	By
△		
△		
△		
△	03-17-17	T. ENVELOPE ES/CL
Scale	Drawn by: TB	03-26-96
3/16" = 1'-0"	Ck'd by:	

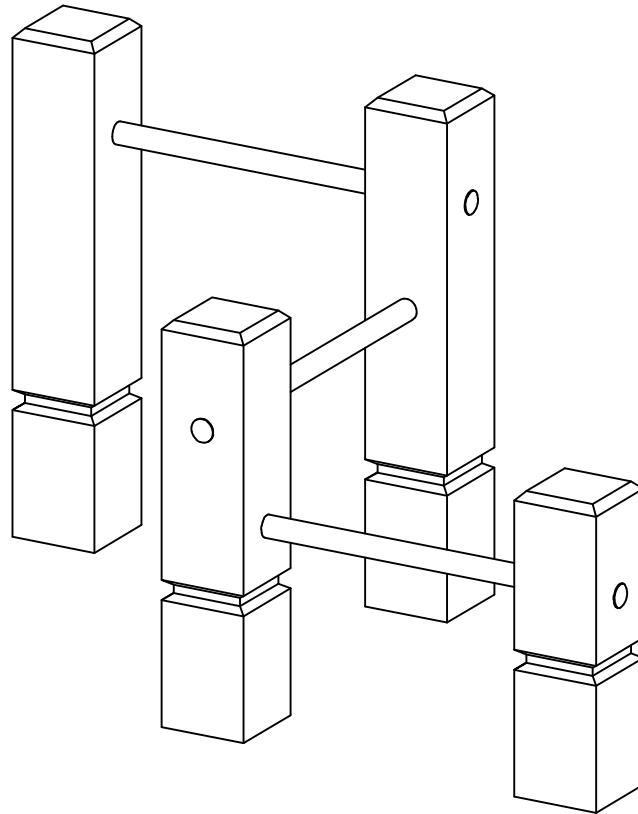
COLUMBIA CASCADE COMPANY
 Makers of TimberForm®, PipeLine®, RePlay®
 TimberForm®-2 and CycLoops® Products.
 1300 S.W. Sixth Avenue, Suite 310 Telephone 503/223-1157
 Portland, Oregon 97201-3464 Facsimile 503/223-4530
 U.S.A.

Title:
 TIMBERFORM FITNESS ROUTE
 MODEL NO. 5114
 PUSH-OFF
 (WOOD)

This drawing reveals the copyrighted intellectual property of Columbia Cascade Company. Not for use by others without our express, written authorization.


Drawing No.
 W-5114

Sheet
 1 of 2



ISOMETRIC VIEW

NOT FOR CONSTRUCTION. CONTACT COLUMBIA CASCADE COMPANY FOR INSTALLATION INSTRUCTIONS.

Date	Revision	By	 COLUMBIA CASCADE COMPANY		Title: TIMBERFORM FITNESS ROUTE		
△	△	△	Makers of TimberForm®, PipeLine®, RePlay® TimberForm®-2 and CycLoops® Products.		MODEL NO. 5114 PUSH-OFF (WOOD)		
△ 03-17-17 T. ENVELOPE ES/CL			1300 S.W. Sixth Avenue, Suite 310 Telephone 503/223-1157 Portland, Oregon 97201-3464 Facsimile 503/223-4530 U.S.A.				
Scale NONE	Drawn by: TB 03-26-96 Ck'd by:		This drawing reveals the copyrighted intellectual property of Columbia Cascade Company. Not for use by others without our express, written authorization.			Drawing No. W-5114	Sheet 2 of 2