


TRAINING ENVELOPE
 12'-0" X 13'-11" (3.7m X 4.3m)
 CLEARANCE SPACE
 18'-0" X 19'-11" (5.5m X 6.1m)


 PUSH-OFF SIGN NO. 9714-S
 IS INCLUDED WITH FITNESS
 STATION 5114-02.

TOP VIEW

NOT FOR CONSTRUCTION. CONTACT COLUMBIA CASCADE COMPANY FOR INSTALLATION INSTRUCTIONS.

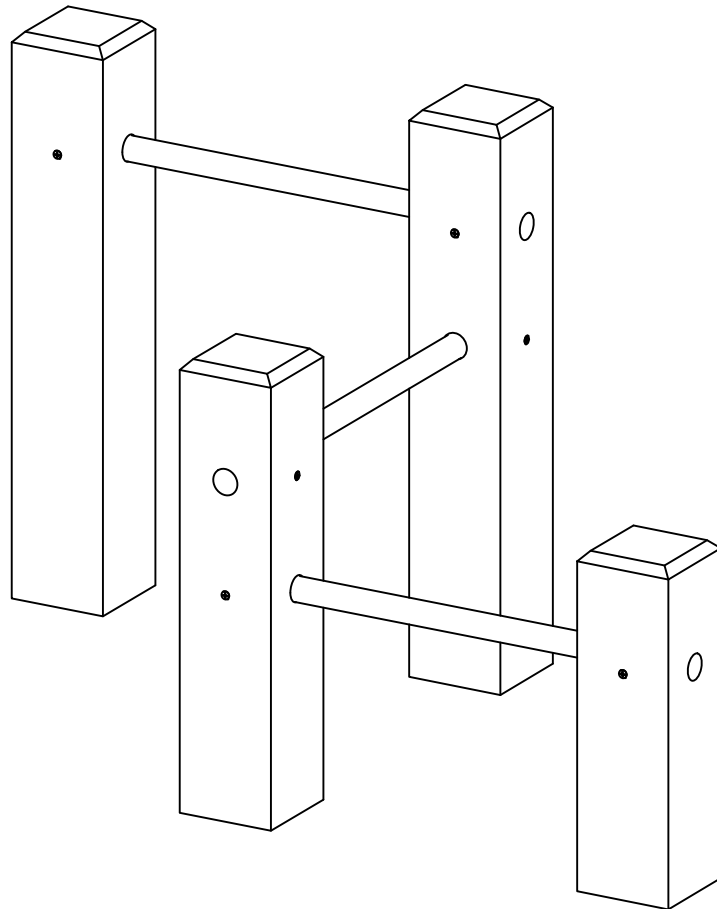
Date	Revision	By
△		
△		
△		
△	03-20-17	T. ENVELOPE ES/CL
Scale	Drawn by: TB	12-08-10
3/16" = 1'-0"	Ch'd by:	

 **COLUMBIA CASCADE COMPANY**
 Makers of TimberForm®, PipeLine®, RePlay®
 TimberForm®-2 and CycLoops® Products.

1300 S.W. Sixth Avenue, Suite 310 Telephone 503/223-1157
 Portland, Oregon 97201-3464 Facsimile 503/223-4530
 U.S.A.

This drawing reveals the copyrighted intellectual property of Columbia Cascade Company. Not for use by others without our express, written authorization.

Title: TIMBERFORM FITNESS ROUTE MODEL NO. 5114-02 PUSH-OFF (RECYCLED PLASTIC)	Drawing No. W-5114-02	Sheet 1 of 2
---	--------------------------	-----------------



ISOMETRIC VIEW

NOT FOR CONSTRUCTION. CONTACT COLUMBIA CASCADE COMPANY FOR INSTALLATION INSTRUCTIONS.

<table border="1"> <thead> <tr> <th>Date</th> <th>Revision</th> <th>By</th> </tr> </thead> <tbody> <tr> <td>△</td> <td></td> <td></td> </tr> <tr> <td>△</td> <td></td> <td></td> </tr> <tr> <td>△</td> <td></td> <td></td> </tr> <tr> <td>△</td> <td>03-20-17</td> <td>T. ENVELOPE</td> </tr> </tbody> </table>	Date	Revision	By	△			△			△			△	03-20-17	T. ENVELOPE	<p>COLUMBIA CASCADE COMPANY Makers of TimberForm®, PipeLine®, RePlay® TimberForm®-2 and CycLoops® Products.</p> <p>1300 S.W. Sixth Avenue, Suite 310 Telephone 503/223-1157 Portland, Oregon 97201-3464 Facsimile 503/223-4530 U.S.A.</p> <p>This drawing reveals the copyrighted intellectual property of Columbia Cascade Company. Not for use by others without our express, written authorization.</p>	<p>Title: TIMBERFORM FITNESS ROUTE MODEL NO. 5114-02 PUSH-OFF (RECYCLED PLASTIC)</p> <p>Drawing No. W-5114-02</p> <p>Sheet 2 of 2</p>
Date	Revision	By															
△																	
△																	
△																	
△	03-20-17	T. ENVELOPE															
<p>Scale NONE</p>	<p>Drawn by: TB 12-08-10 Ck'd by:</p>																