


TRAINING ENVELOPE  
 7'-9" X 9'-1" (2.4m X 2.8m)  
 CLEARANCE SPACE  
 13'-9" X 15'-1" (4.2m X 4.6m)

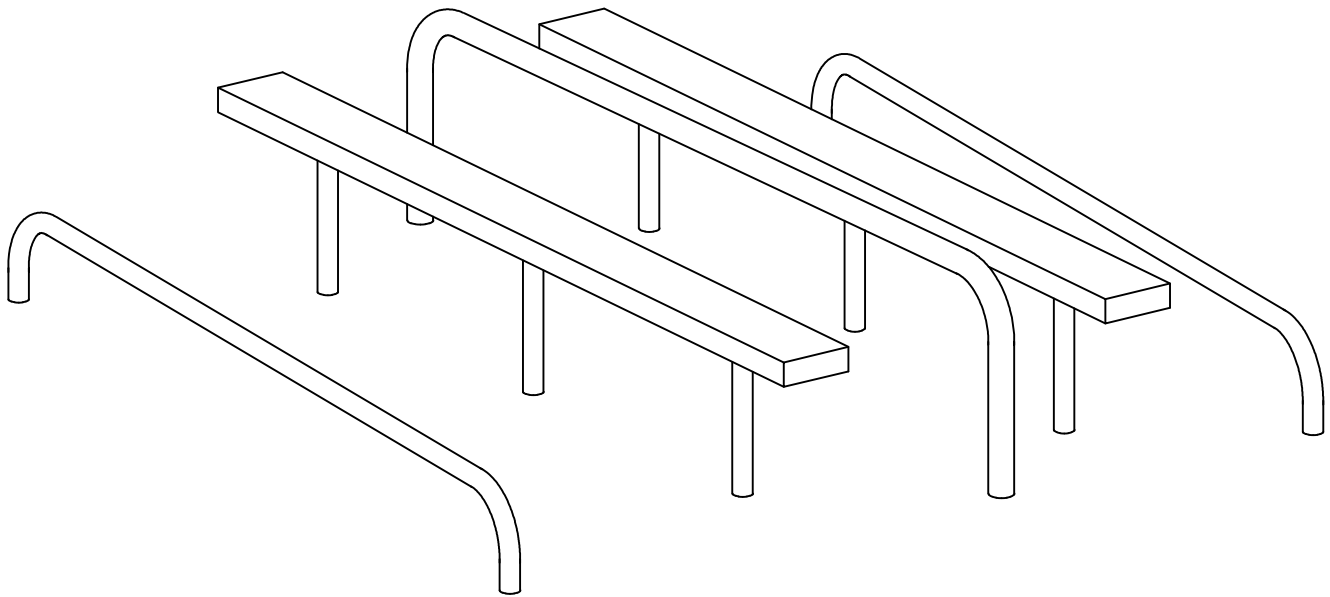
SIT-UP SIGN NO. 5113-S  
 IS INCLUDED WITH FITNESS  
 STATION 5113.

TOP VIEW

**NOT FOR CONSTRUCTION. CONTACT COLUMBIA CASCADE COMPANY FOR INSTALLATION INSTRUCTIONS.**

<table border="1"> <thead> <tr> <th>Date</th> <th>Revision</th> <th>By</th> </tr> </thead> <tbody> <tr> <td>△</td> <td></td> <td></td> </tr> <tr> <td>△</td> <td></td> <td></td> </tr> <tr> <td>△</td> <td></td> <td></td> </tr> <tr> <td>△</td> <td>03-17-17</td> <td>T. ENVELOPE ES/CL</td> </tr> </tbody> </table>		Date	Revision	By	△			△			△			△	03-17-17	T. ENVELOPE ES/CL	 <p><b>COLUMBIA CASCADE COMPANY</b>                  Makers of TimberForm®, PipeLine®, RePlay®                  TimberForm®-2 and CycLoops® Products.</p> <p>1300 S.W. Sixth Avenue, Suite 310 Telephone 503/223-1157                  Portland, Oregon 97201-3464 Facsimile 503/223-4530                  U.S.A.</p>	<p>Title:                  TIMBERFORM FITNESS ROUTE                  MODEL NO. 5113                  SIT-UP                  (WOOD)</p>
Date	Revision	By																
△																		
△																		
△																		
△	03-17-17	T. ENVELOPE ES/CL																
<p>Scale                  3/16" = 1'-0"</p>	<p>Drawn by: TB                  03-26-96</p>	<p>Drawing No.                  W-5113</p>	<p>Sheet                  1 of 2</p>															

This drawing reveals the copyrighted intellectual property of Columbia Cascade Company. Not for use by others without our express, written authorization.



ISOMETRIC VIEW

**NOT FOR CONSTRUCTION. CONTACT COLUMBIA CASCADE COMPANY FOR INSTALLATION INSTRUCTIONS.**

Date	Revision	By
△		
△		
△		
△	03-17-17	T. ENVELOPE ES/CL
Scale	Drawn by: TB	03-26-96
NONE	Ck'd by:	

**COLUMBIA CASCADE COMPANY**  
 Makers of TimberForm®, PipeLine®, RePlay®  
 TimberForm®-2 and CycLoops® Products.

1300 S.W. Sixth Avenue, Suite 310 Telephone 503/223-1157  
 Portland, Oregon 97201-3464 Facsimile 503/223-4530  
 U.S.A.

This drawing reveals the copyrighted intellectual property of Columbia Cascade Company. Not for use by others without our express, written authorization.

Title: TIMBERFORM FITNESS ROUTE MODEL NO. 5113 SIT-UP (WOOD)	Drawing No. W-5113	Sheet 2 of 2
--	-----------------------	-----------------