

TRAINING ENVELOPE  
 7'-9" X 9'-1" (2.4m X 2.8m)  
 CLEARANCE SPACE  
 13'-9" X 15'-1" (4.2m X 4.6m)

SIT-UP SIGN NO. 5113-S  
 IS INCLUDED WITH FITNESS  
 STATION 5113-03.

TOP VIEW

**NOT FOR CONSTRUCTION. CONTACT COLUMBIA CASCADE COMPANY FOR INSTALLATION INSTRUCTIONS.**

Date	Revision	By
△		
△		
△		
△	03-20-17	T. ENVELOPE ES/CL
Scale	Drawn by: JZB	03-27-07
3/16" = 1'-0"	Ch'd by:	

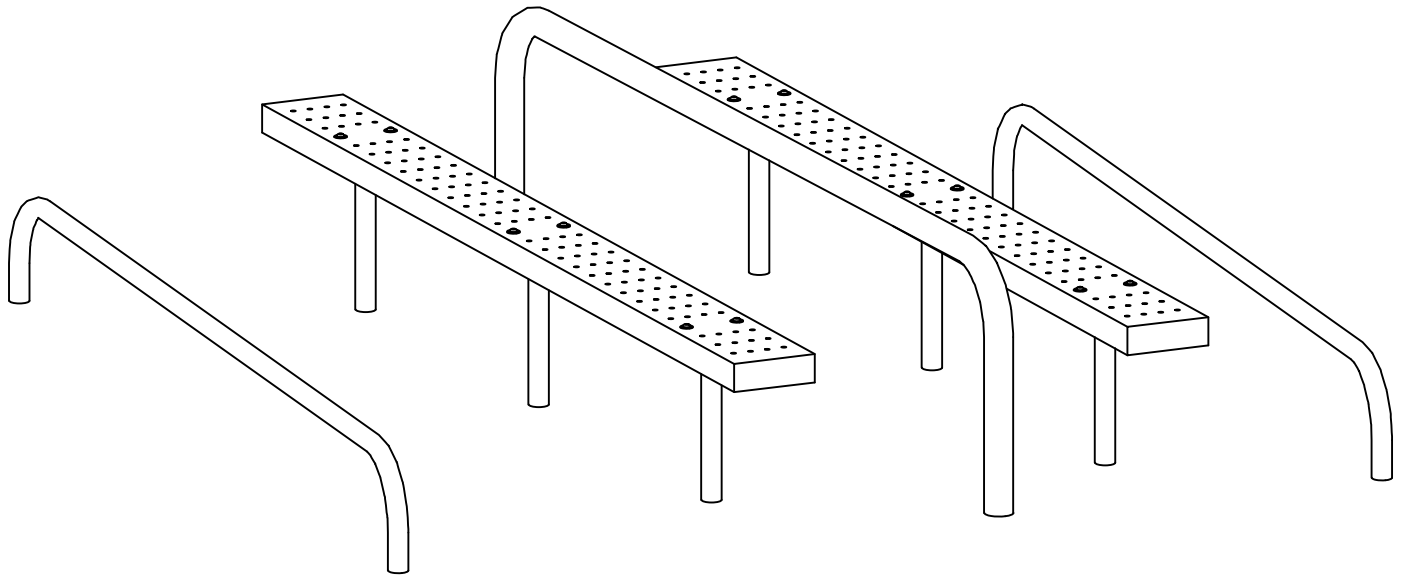
**COLUMBIA CASCADE COMPANY**  
 Makers of TimberForm®, PipeLine®, RePlay®  
 TimberForm®-2 and CycLoops® Products.  
 1300 S.W. Sixth Avenue, Suite 310 Telephone 503/223-1157  
 Portland, Oregon 97201-3464 Facsimile 503/223-4530  
 U.S.A.

Title:  
 TIMBERFORM FITNESS ROUTE  
 MODEL NO. 5113-03  
 SIT-UP  
 (SOFDEK BENCH TOPS)

This drawing reveals the copyrighted intellectual property of Columbia Cascade Company. Not for use by others without our express, written authorization.


Drawing No.  
 W-5113-03

Sheet  
 1 of 2



ISOMETRIC VIEW

**NOT FOR CONSTRUCTION. CONTACT COLUMBIA CASCADE COMPANY FOR INSTALLATION INSTRUCTIONS.**

<table border="1"> <thead> <tr> <th>Date</th> <th>Revision</th> <th>By</th> </tr> </thead> <tbody> <tr> <td>△</td> <td></td> <td></td> </tr> <tr> <td>△</td> <td></td> <td></td> </tr> <tr> <td>△</td> <td></td> <td></td> </tr> <tr> <td>△</td> <td>03-20-17</td> <td>T. ENVELOPE ES/CL</td> </tr> </tbody> </table>		Date	Revision	By	△			△			△			△	03-20-17	T. ENVELOPE ES/CL	 <p><b>COLUMBIA CASCADE COMPANY</b>                  Makers of TimberForm®, PipeLine®, RePlay®                  TimberForm®-2 and CycLoops® Products.</p> <p>1300 S.W. Sixth Avenue, Suite 310 Telephone 503/223-1157                  Portland, Oregon 97201-3464 Facsimile 503/223-4530                  U.S.A.</p>	<p>Title:                  TIMBERFORM FITNESS ROUTE                  MODEL NO. 5113-03                  SIT-UP                  (SOFDEK BENCH TOPS)</p>
Date	Revision	By																
△																		
△																		
△																		
△	03-20-17	T. ENVELOPE ES/CL																
<p>Scale NONE</p>	<p>Drawn by: JZB 03-27-07</p> <p>Ck'd by:</p>	<p>Drawing No.                  W-5113-03</p>	<p>Sheet                  2 of 2</p>															

This drawing reveals the copyrighted intellectual property of Columbia Cascade Company. Not for use by others without our express, written authorization.