

TRAINING ENVELOPE
 7'-9" X 9'-1" (2.4m X 2.8m)
 CLEARANCE SPACE
 13'-9" X 15'-1" (4.2m X 4.6m)

SIT-UP SIGN NO. 9713-S
 IS INCLUDED WITH FITNESS
 STATION 5113-02.

TOP VIEW

NOT FOR CONSTRUCTION. CONTACT COLUMBIA CASCADE COMPANY FOR INSTALLATION INSTRUCTIONS.

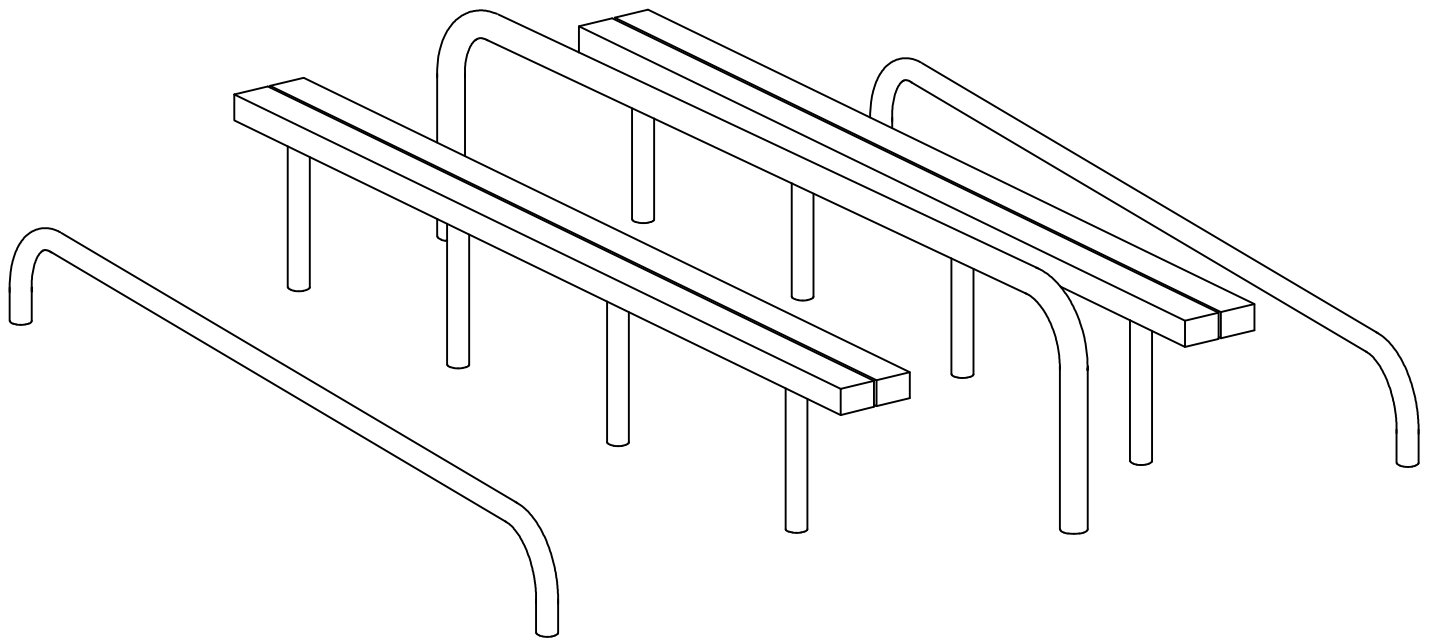
| Date | Revision | By |
|---------------|--------------|-------------------|
| △ | | |
| △ | | |
| △ | | |
| △ | 03-20-17 | T. ENVELOPE ES/CL |
| Scale | Drawn by: TB | 12-08-10 |
| 3/16" = 1'-0" | Ch'd by: | |

COLUMBIA CASCADE COMPANY
 Makers of TimberForm®, PipeLine®, RePlay®
 TimberForm®-2 and CycLoops® Products.

1300 S.W. Sixth Avenue, Suite 310 Telephone 503/223-1157
 Portland, Oregon 97201-3464 Facsimile 503/223-4530
 U.S.A.


| | |
|---|-----------------|
| Title: TIMBERFORM FITNESS ROUTE MODEL NO. 5113-02 SIT-UP (RECYCLED PLASTIC) | |
| Drawing No. W-5113-02 | Sheet 1 of 2 |

This drawing reveals the copyrighted intellectual property of Columbia Cascade Company. Not for use by others without our express, written authorization.



ISOMETRIC VIEW

NOT FOR CONSTRUCTION. CONTACT COLUMBIA CASCADE COMPANY FOR INSTALLATION INSTRUCTIONS.

| Date | Revision | By |  COLUMBIA CASCADE COMPANY Makers of TimberForm®, PipeLine®, RePlay® TimberForm®-2 and CycLoops® Products. 1300 S.W. Sixth Avenue, Suite 310 Telephone 503/223-1157 Portland, Oregon 97201-3464 Facsimile 503/223-4530 U.S.A. | Title: |
|-------|---------------|-------------|---|--|
| △ | | | | TIMBERFORM FITNESS ROUTE MODEL NO. 5113-02 SIT-UP (SOFDEK PLASTIC-COATED PERFORATED STEEL) |
| △ | | | | |
| △ | | | | |
| △ | 03-20-17 | T. ENVELOPE | ES/CL | |
| Scale | Drawn by: JZB | 03-27-07 | This drawing reveals the copyrighted intellectual property of Columbia Cascade Company. Not for use by others without our express, written authorization. | Drawing No. |
| NONE | Ch'ed by: | | | W-5113-02 |