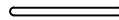


TRAINING ENVELOPE
 11'-9" X 12'-5" (3.6m X 3.8m)
 CLEARANCE SPACE
 17'-9" X 18'-5" (5.4m X 5.6m)



BODY-TUCK SIGN NO. 9709-S
 IS INCLUDED WITH FITNESS
 STATION 5109-02.

TOP VIEW

NOT FOR CONSTRUCTION. CONTACT COLUMBIA CASCADE COMPANY FOR INSTALLATION INSTRUCTIONS.

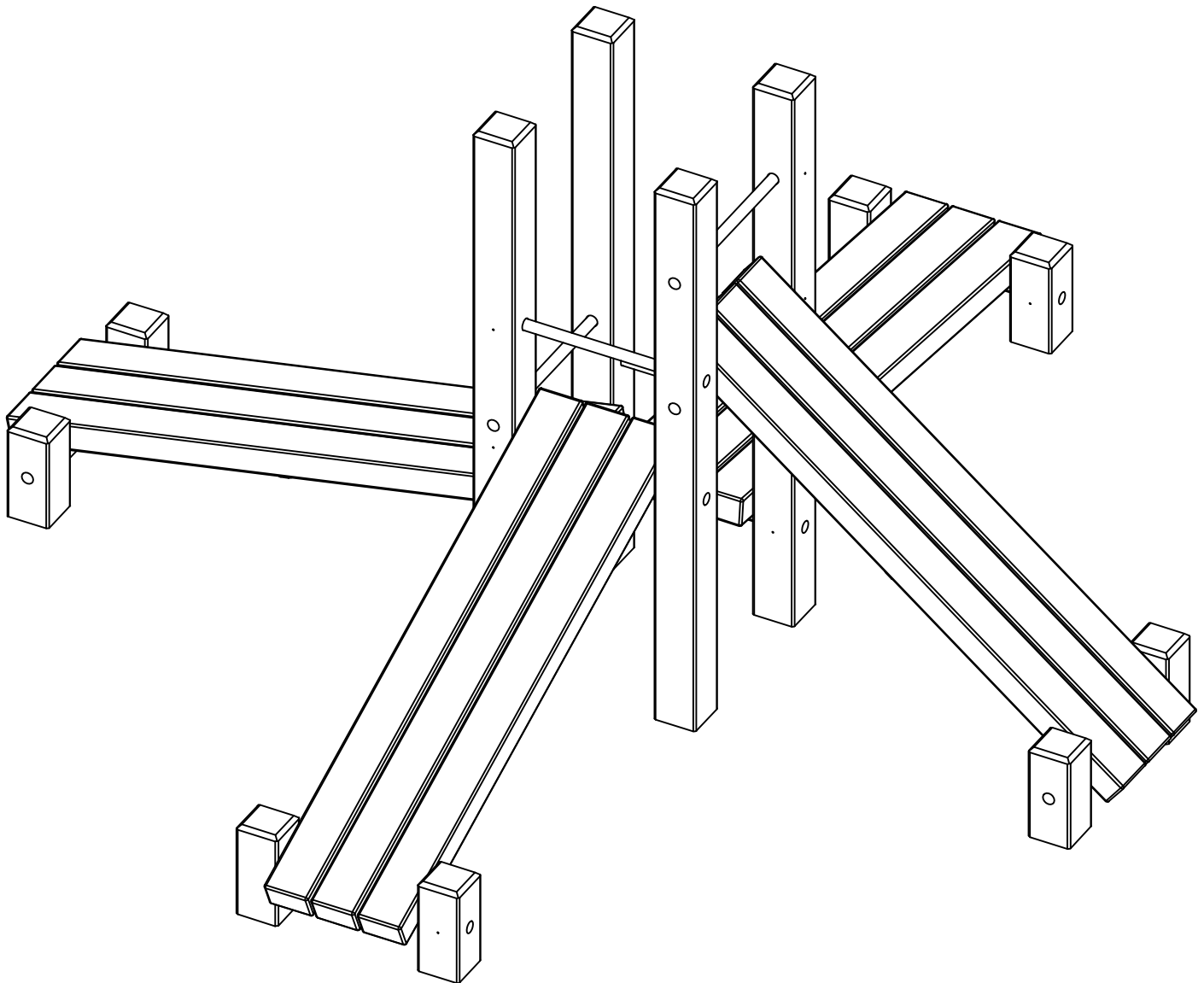
Date	Revision	By
△		
△		
△		
△	03-16-17	T. ENVELOPE ES/CL
Scale	Drawn by: TB	12-08-10
3/16" = 1'-0"	Ck'd by:	

COLUMBIA CASCADE COMPANY
 Makers of TimberForm®, PipeLine®, RePlay®
 TimberForm®-2 and CycLoops® Products.

1300 S.W. Sixth Avenue, Suite 310 Telephone 503/223-1157
 Portland, Oregon 97201-3464 Facsimile 503/223-4530
 U.S.A.


This drawing reveals the copyrighted intellectual property of Columbia Cascade Company. Not for use by others without our express, written authorization.

Title: TIMBERFORM FITNESS ROUTE MODEL NO. 5109-02 BODY-TUCK (RECYCLED PLASTIC)	Drawing No. W-5109-02	Sheet 1 of 2
--	--------------------------	-----------------



ISOMETRIC VIEW

NOT FOR CONSTRUCTION. CONTACT COLUMBIA CASCADE COMPANY FOR INSTALLATION INSTRUCTIONS.

<table border="1"> <thead> <tr> <th>Date</th> <th>Revision</th> <th>By</th> </tr> </thead> <tbody> <tr> <td>△</td> <td></td> <td></td> </tr> <tr> <td>△</td> <td></td> <td></td> </tr> <tr> <td>△</td> <td></td> <td></td> </tr> <tr> <td>△</td> <td>03-17-17</td> <td>T. ENVELOPE ES/CL</td> </tr> </tbody> </table>		Date	Revision	By	△			△			△			△	03-17-17	T. ENVELOPE ES/CL	 <p>COLUMBIA CASCADE COMPANY Makers of TimberForm®, PipeLine®, RePlay® TimberForm®-2 and CycLoops® Products.</p> <p>1300 S.W. Sixth Avenue, Suite 310 Telephone 503/223-1157 Portland, Oregon 97201-3464 Facsimile 503/223-4530 U.S.A.</p>	<p>Title: TIMBERFORM FITNESS ROUTE MODEL NO. 5109-02 BODY-TUCK (RECYCLED PLASTIC)</p>
Date	Revision	By																
△																		
△																		
△																		
△	03-17-17	T. ENVELOPE ES/CL																
<p>Scale NONE</p>	<p>Drawn by: TB 12-08-10 Ck'd by:</p>	<p>This drawing reveals the copyrighted intellectual property of Columbia Cascade Company. Not for use by others without our express, written authorization.</p>	<p>Drawing No. W-5109-02</p>	<p>Sheet 2 of 2</p>														