

TRAINING ENVELOPE
 12'-0" X 8'-8" (3.7m X 2.6m)
 CLEARANCE SPACE
 18'-0" X 14'-6" (5.5m X 4.5m)

HOP-OVER SIGN NO. 5106-S
 IS INCLUDED WITH FITNESS
 STATION 5106.

TOP VIEW

NOT FOR CONSTRUCTION. CONTACT COLUMBIA CASCADE COMPANY FOR INSTALLATION INSTRUCTIONS.

| Date | Revision | By |
|---------------|--------------|-------------------|
| △ | | |
| △ | | |
| △ | | |
| △ | 03-16-17 | T. ENVELOPE ES/CL |
| Scale | Drawn by: TB | 12-10-10 |
| 3/16" = 1'-0" | Ck'd by: | |

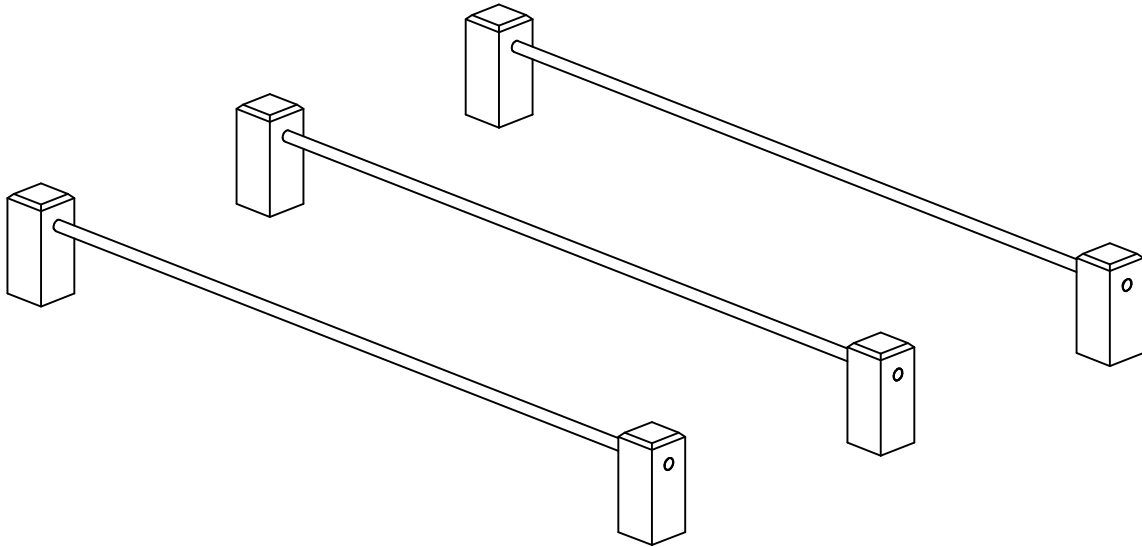
COLUMBIA CASCADE COMPANY
 Makers of TimberForm®, PipeLine®, RePlay®
 TimberForm®-2 and CycLoops® Products.
 1300 S.W. Sixth Avenue, Suite 310 Telephone 503/223-1157
 Portland, Oregon 97201-3464 Facsimile 503/223-4530
 U.S.A.

Title:
 TIMBERFORM FITNESS ROUTE
 MODEL NO. 5106
 HOP-OVER
 (WOOD)

This drawing reveals the copyrighted intellectual property of Columbia Cascade Company. Not for use by others without our express, written authorization.


Drawing No.
 W-5106

Sheet
 1 of 2



ISOMETRIC VIEW

NOT FOR CONSTRUCTION. CONTACT COLUMBIA CASCADE COMPANY FOR INSTALLATION INSTRUCTIONS.

| <table border="1"> <thead> <tr> <th>Date</th> <th>Revision</th> <th>By</th> </tr> </thead> <tbody> <tr> <td>△</td> <td></td> <td></td> </tr> <tr> <td>△</td> <td></td> <td></td> </tr> <tr> <td>△</td> <td></td> <td></td> </tr> <tr> <td>△</td> <td>03-16-17</td> <td>T. ENVELOPE ES/CL</td> </tr> </tbody> </table> | | Date | Revision | By | △ | | | △ | | | △ | | | △ | 03-16-17 | T. ENVELOPE ES/CL |  <p>COLUMBIA CASCADE COMPANY Makers of TimberForm®, PipeLine®, RePlay® TimberForm®-2 and CycLoops® Products.</p> <p>1300 S.W. Sixth Avenue, Suite 310 Telephone 503/223-1157 Portland, Oregon 97201-3464 Facsimile 503/223-4530 U.S.A.</p> | <p>Title: TIMBERFORM FITNESS ROUTE MODEL NO. 5106 HOP-OVER (WOOD)</p> |
|---|---|--|--|----|---|--|--|---|--|--|---|--|--|---|----------|-------------------|--|---|
| Date | Revision | By | | | | | | | | | | | | | | | | |
| △ | | | | | | | | | | | | | | | | | | |
| △ | | | | | | | | | | | | | | | | | | |
| △ | | | | | | | | | | | | | | | | | | |
| △ | 03-16-17 | T. ENVELOPE ES/CL | | | | | | | | | | | | | | | | |
| <p>Scale NONE</p> | <p>Drawn by: TB 03-26-96 Ck'd by:</p> | <p>Drawing No. W-5106</p> | <p>Sheet 2 of 2</p> | | | | | | | | | | | | | | | |

This drawing reveals the copyrighted intellectual property of Columbia Cascade Company. Not for use by others without our express, written authorization.