

TRAINING ENVELOPE  
 12'-0" X 8'-6" (3.7m X 2.6m)  
 CLEARANCE SPACE  
 18'-0" X 14'-6" (5.5m X 4.5m)

HOP-OVER SIGN NO. 9706-S  
 IS INCLUDED WITH FITNESS  
 ROUTE STATION 5106-02.

TOP VIEW

**NOT FOR CONSTRUCTION. CONTACT COLUMBIA CASCADE COMPANY FOR INSTALLATION INSTRUCTIONS.**

Date	Revision	By
△		
△		
△		
△	03-16-17	T. ENVELOPE ES/CL
Scale	Drawn by: TB	12-10-10
3/16" = 1'-0"	Ch'd by:	

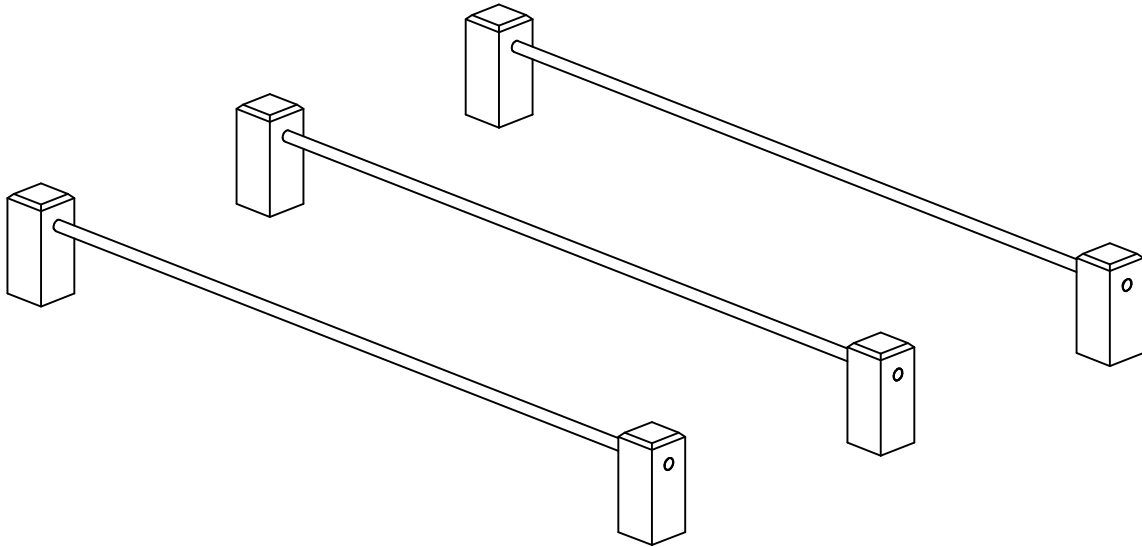
**COLUMBIA CASCADE COMPANY**  
 Makers of TimberForm®, PipeLine®, RePlay®  
 TimberForm®-2 and CycLoops® Products.  
 1300 S.W. Sixth Avenue, Suite 310 Telephone 503/223-1157  
 Portland, Oregon 97201-3464 Facsimile 503/223-4530  
 U.S.A.

Title:  
 TIMBERFORM FITNESS ROUTE  
 MODEL NO. 5106-02  
 HOP-OVER  
 (RECYCLED PLASTIC)

This drawing reveals the copyrighted intellectual property of Columbia Cascade Company. Not for use by others without our express, written authorization.

Drawing No.  
 W-5106-02

Sheet  
 1 of 2



ISOMETRIC VIEW

**NOT FOR CONSTRUCTION. CONTACT COLUMBIA CASCADE COMPANY FOR INSTALLATION INSTRUCTIONS.**

Date	Revision	By
△		
△		
△		
△	03-16-17	T. ENVELOPE ES/CL
Scale	Drawn by: TB	03-26-96
NONE	Ch'd by:	

**COLUMBIA CASCADE COMPANY**  
 Makers of TimberForm®, PipeLine®, RePlay®  
 TimberForm®-2 and CycLoops® Products.

1300 S.W. Sixth Avenue, Suite 310 Telephone 503/223-1157  
 Portland, Oregon 97201-3464 Facsimile 503/223-4530  
 U.S.A.

This drawing reveals the copyrighted intellectual property of Columbia Cascade Company. Not for use by others without our express, written authorization.

Title: TIMBERFORM FITNESS ROUTE MODEL NO. 5106-02 HOP-OVER (RECYCLED PLASTIC)	Drawing No. W-5106-02	Sheet 2 of 2
---	--------------------------	-----------------