

TRAINING ENVELOPE
 12'-9" X 12'-9" (3.9m X 3.9m)
 CLEARANCE SPACE
 18'-9" X 18'-9" (5.8m X 5.8m)

HEEL-FLEX SIGN NO. 5102-S
 IS INCLUDED WITH FITNESS
 STATION 5102-03.

TOP VIEW

NOT FOR CONSTRUCTION. CONTACT COLUMBIA CASCADE COMPANY FOR INSTALLATION INSTRUCTIONS.

Date	Revision	By
△		
△		
△		
△	03-16-17	T. ENVELOPE ES/CL
Scale	Drawn by: TB	12-10-10
3/16" = 1'-0"	Ck'd by:	

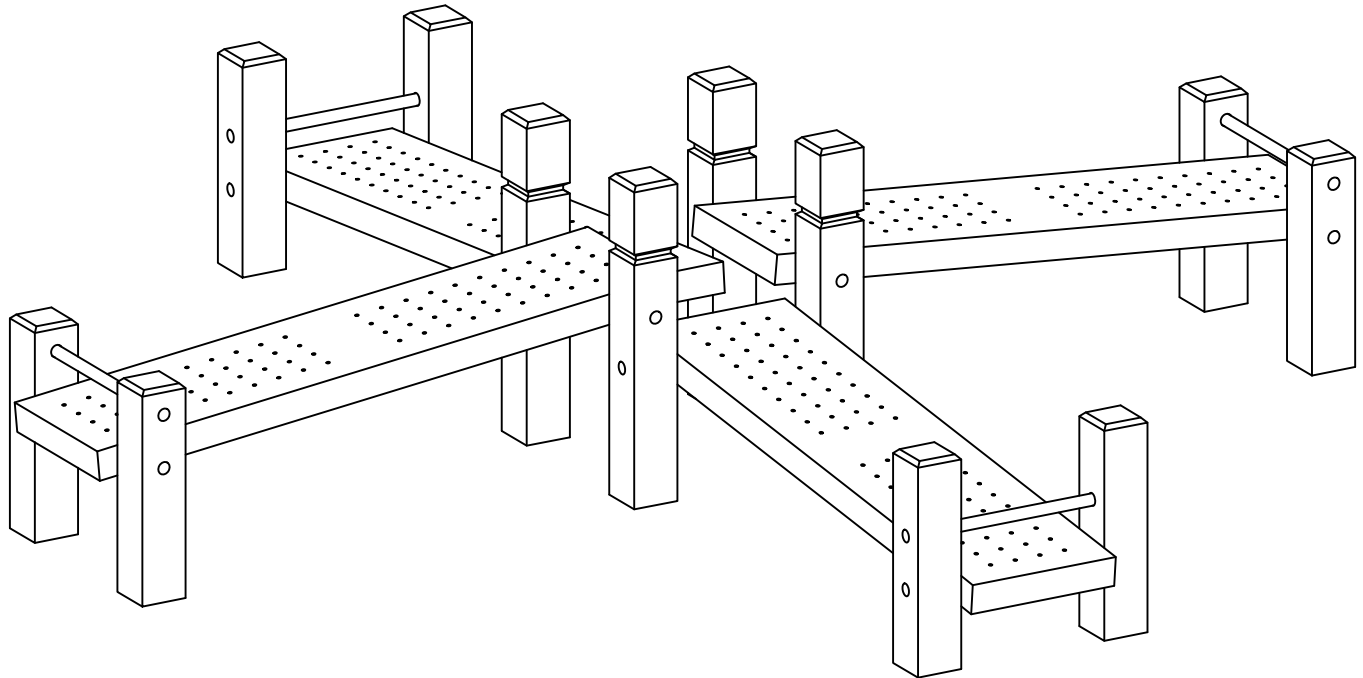
COLUMBIA CASCADE COMPANY
 Makers of TimberForm®, PipeLine®, RePlay®
 TimberForm®-2 and CycLoops® Products.
 1300 S.W. Sixth Avenue, Suite 310 Telephone 503/223-1157
 Portland, Oregon 97201-3464 Facsimile 503/223-4530
 U.S.A.

Title:
 TIMBERFORM FITNESS ROUTE
 MODEL NO. 5102-03
 TOE-REACH
 (SOFDEK BENCH TOPS)

This drawing reveals the copyrighted intellectual property of Columbia Cascade Company. Not for use by others without our express, written authorization.

Drawing No.
 W-5102-03

Sheet
 1 of 2



ISOMETRIC VIEW

NOT FOR CONSTRUCTION. CONTACT COLUMBIA CASCADE COMPANY FOR INSTALLATION INSTRUCTIONS.

Date	Revision	By
△		
△		
△		
△	03-16-17	T. ENVELOPE ES/CL
Scale	Drawn by: TB	12-10-10
NONE	Ch'd by:	

COLUMBIA CASCADE COMPANY
 Makers of TimberForm®, PipeLine®, RePlay®
 TimberForm®-2 and CycLoops® Products.

1300 S.W. Sixth Avenue, Suite 310 Telephone 503/223-1157
 Portland, Oregon 97201-3464 Facsimile 503/223-4530
 U.S.A.

This drawing reveals the copyrighted intellectual property of Columbia Cascade Company. Not for use by others without our express, written authorization.

Title:
 TIMBERFORM FITNESS ROUTE
 MODEL NO. 5102-03
 TOE-REACH
 (SOFDEK BENCH TOPS)

Drawing No. W-5102-03

Sheet 2 of 2