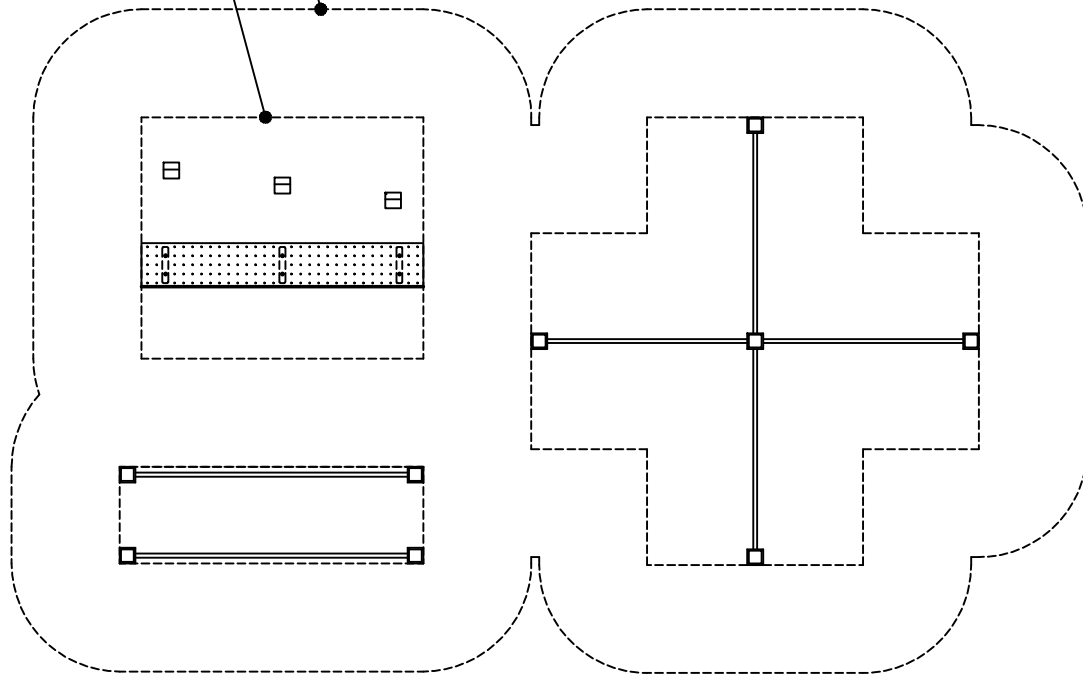


CLEARANCE SPACE
TRAINING ENVELOPE



EXERCISE ACTIVITIES

1. LEG-OVER
2. ARM-WALK
3. HOP-OVER

GROUP D SIGN NO. 5100-DS
IS INCLUDED WITH GROUP D

TRAINING ENVELOPE

23'-11" X 12'-6" (7.3m X 3.9m)

CLEARANCE SPACE

29'-11" X 18'-6" (9.2m X 5.7m)

(ONE POSSIBLE COMBINATION)

TOP VIEW

NOT FOR CONSTRUCTION. CONTACT COLUMBIA CASCADE COMPANY FOR INSTALLATION INSTRUCTIONS.

Date	Revision	By
△		
△		
△		
△	03-13-17	T. ENVELOPE ES/CL
Scale	Drawn by: Ian	05-27-15
3/16" = 1'-0"	Ck'd by:	

COLUMBIA CASCADE COMPANY
 Makers of TimberForm®, PipeLine®, RePlay®
 TimberForm®-2 and CycLoops® Products.

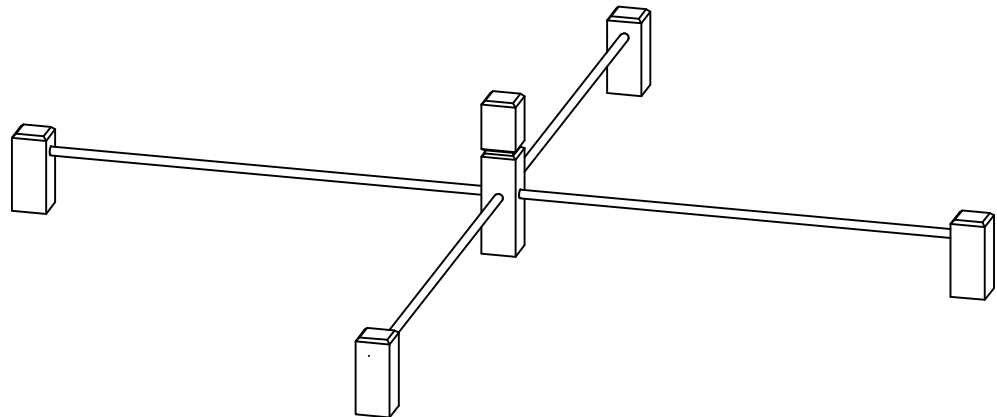
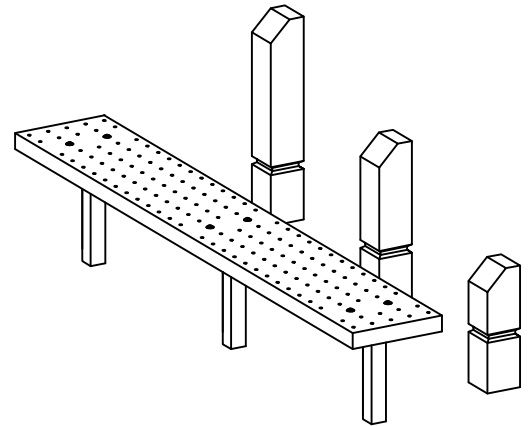
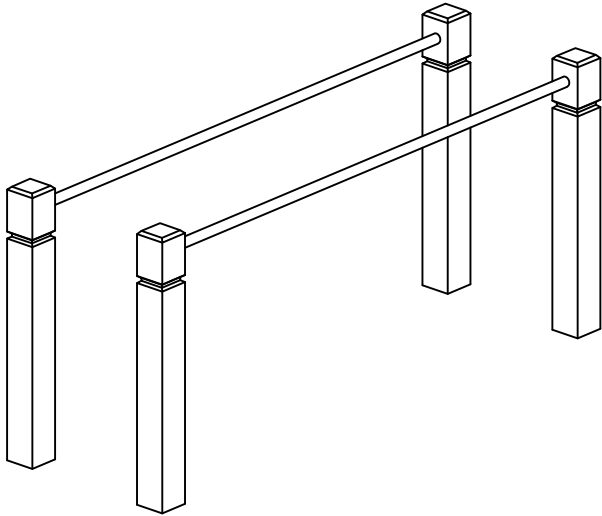
1300 S.W. Sixth Avenue, Suite 310 Telephone 503/223-1157
 Portland, Oregon 97201-3464 Facsimile 503/223-4530
 U.S.A.

Title:
 TIMBERFORM FITNESS CLUSTER
 MODEL NO. 5100-03-D
 TIMBERFORM GROUP D
 (SOFDEK BENCH TOP)

This drawing reveals the copyrighted intellectual property of Columbia Cascade Company. Not for use by others without our express, written authorization.

Drawing No.
 W-5100-03-D

Sheet
 1 of 2



ISOMETRIC VIEW

NOT FOR CONSTRUCTION. CONTACT COLUMBIA CASCADE COMPANY FOR INSTALLATION INSTRUCTIONS.

Date	Revision	By
△		
△		
△		
△	03-13-17	T. ENVELOPE ES/CL
Scale	Drawn by: Ian	05-27-15
NONE	Ch'd by:	

COLUMBIA CASCADE COMPANY
 Makers of TimberForm®, PipeLine®, RePlay®
 TimberForm®-2 and CycLoops® Products.

1300 S.W. Sixth Avenue, Suite 310 Telephone 503/223-1157
 Portland, Oregon 97201-3464 Facsimile 503/223-4530
 U.S.A.

Title:
 TIMBERFORM FITNESS CLUSTER
 MODEL NO. 5100-03-D
 TIMBERFORM GROUP D
 (SOFDEK BENCH TOP)

This drawing reveals the copyrighted intellectual property of Columbia Cascade Company. Not for use by others without our express, written authorization.

Drawing No.
 W-5100-03-D

Sheet
 2 of 2