

**EXERCISE ACTIVITIES**

- 1. VAULT-OVER
- 2. SIT-UP
- 3. PUSH-OFF

**TRAINING ENVELOPE**

21'-0" X 20'-11" (6.4m X 6.4m)

**CLEARANCE SPACE**

27'-0" X 26'-11" (8.3m X 8.2m)

GROUP B SIGN NO. 5100-B5  
IS INCLUDED WITH GROUP B

TOP VIEW

**NOT FOR CONSTRUCTION. CONTACT COLUMBIA CASCADE COMPANY FOR INSTALLATION INSTRUCTIONS.**

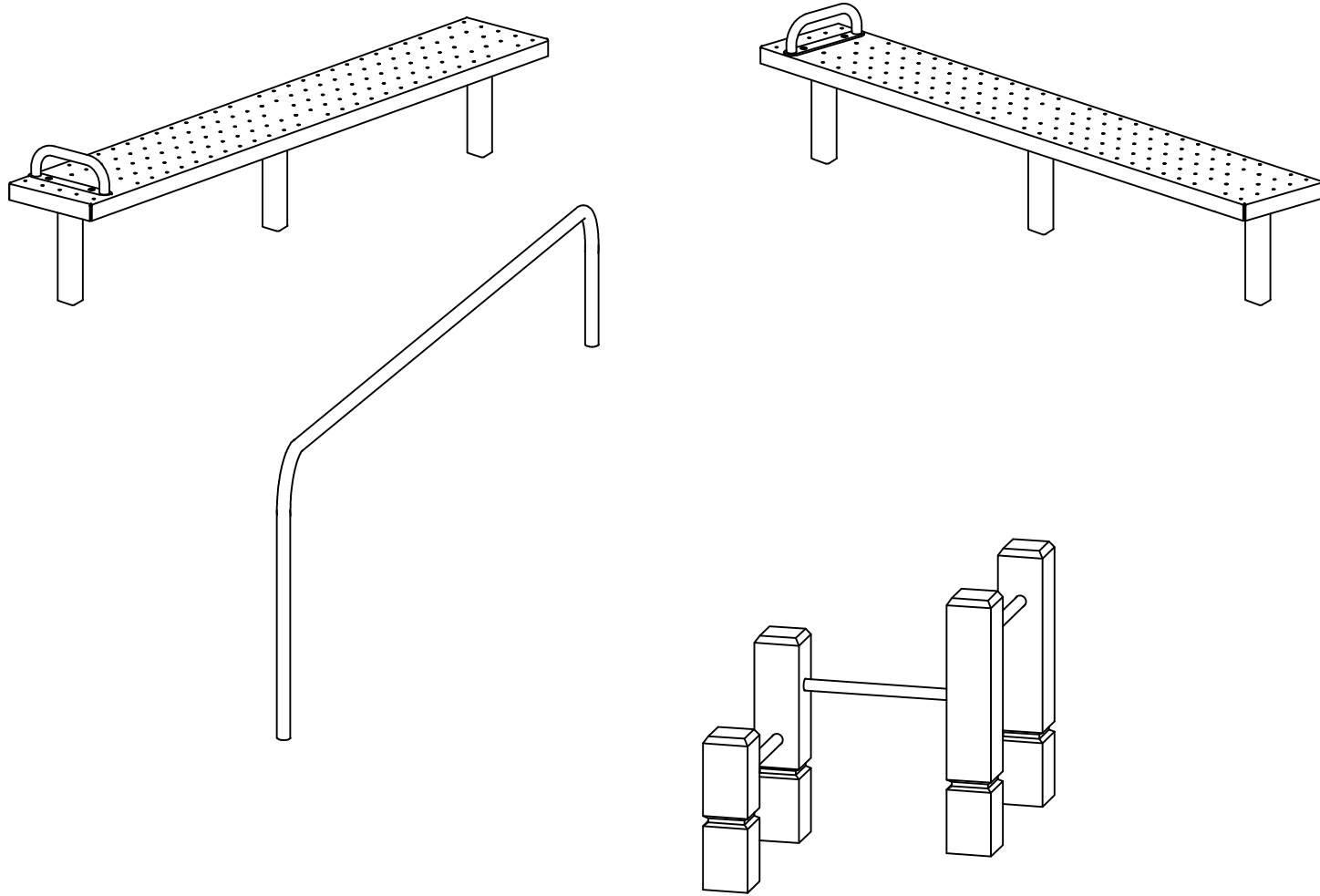
Date	Revision	By
△		
△		
△		
△	03-09-17	T. ENVELOPE ES/CL
Scale	Drawn by: TB	12-10-10
3/16" = 1'-0"	Ck'd by:	

**COLUMBIA CASCADE COMPANY**  
 Makers of TimberForm®, PipeLine®, RePlay®  
 TimberForm®-2 and CycLoops® Products.

1300 S.W. Sixth Avenue, Suite 310 Telephone 503/223-1157  
 Portland, Oregon 97201-3464 Facsimile 503/223-4530  
 U.S.A.

This drawing reveals the copyrighted intellectual property of Columbia Cascade Company. Not for use by others without our express, written authorization.

Title: TIMBERFORM FITNESS CLUSTER MODEL NO. 5100-03-B TIMBERFORM GROUP B (SOFDEK BENCH TOPS)	Drawing No. W-5100-03-B	Sheet 1 of 2
--	----------------------------	-----------------



ISOMETRIC VIEW

**NOT FOR CONSTRUCTION. CONTACT COLUMBIA CASCADE COMPANY FOR INSTALLATION INSTRUCTIONS.**

Date	Revision	By
△		
△		
△		
△	03-13-17	T. ENVELOPE ES/CL
Scale	Drawn by: TB	03-15-96
NONE	Ck'd by:	

**COLUMBIA CASCADE COMPANY**  
 Makers of TimberForm®, PipeLine®, RePlay®,  
 TimberForm®-2 and CycLoops® Products.

1300 S.W. Sixth Avenue, Suite 310 Telephone 503/223-1157  
 Portland, Oregon 97201-3464 Facsimile 503/223-4530  
 U.S.A.

This drawing reveals the copyrighted intellectual property of Columbia Cascade Company. Not for use by others without our express, written authorization.

Title: TIMBERFORM FITNESS CLUSTER MODEL NO. 5100-03-B TIMBERFORM GROUP B (SOFDEK BENCH TOPS)	Drawing No. W-5100-03-B	Sheet 2 of 2
--	----------------------------	-----------------