

EXERCISE ACTIVITIES

- 1. VAULT-OVER
- 2. SIT-UP
- 3. PUSH-OFF

TRAINING ENVELOPE

21'-0" X 20'-11" (6.4m X 6.4m)

CLEARANCE SPACE

27'-0" X 26'-11" (8.3m X 8.2m)

GROUP B SIGN NO. 9700-BS
IS INCLUDED WITH GROUP B

TOP VIEW

NOT FOR CONSTRUCTION. CONTACT COLUMBIA CASCADE COMPANY FOR INSTALLATION INSTRUCTIONS.

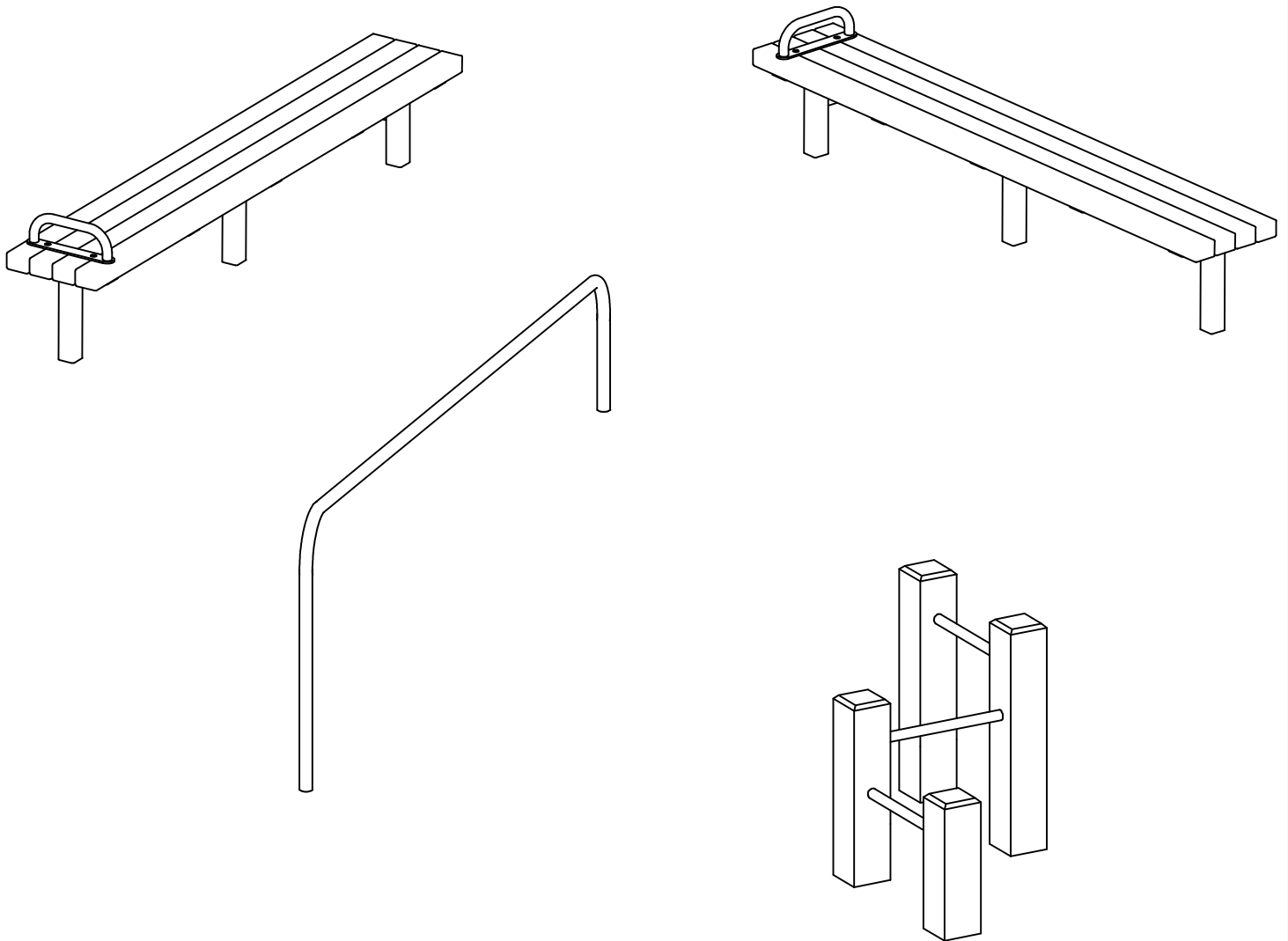
| Date | Revision | By |
|---------------|--------------|-------------------|
| △ | | |
| △ | | |
| △ | | |
| △ | 03-09-17 | T. ENVELOPE ES/CL |
| Scale | Drawn by: TB | 12-10-10 |
| 3/16" = 1'-0" | Ck'd by: | |

COLUMBIA CASCADE COMPANY
 Makers of TimberForm®, PipeLine®, RePlay®
 TimberForm®-2 and CycLoops® Products.

1300 S.W. Sixth Avenue, Suite 310 Telephone 503/223-1157
 Portland, Oregon 97201-3464 Facsimile 503/223-4530
 U.S.A.

This drawing reveals the copyrighted intellectual property of Columbia Cascade Company. Not for use by others without our express, written authorization.

| | | |
|---|----------------------------|-----------------|
| Title: TIMBERFORM FITNESS CLUSTER MODEL NO. 5100-02-B TIMBERFORM GROUP B (RECYCLED PLASTIC SLATS) | Drawing No. W-5100-02-B | Sheet 1 of 2 |
|---|----------------------------|-----------------|



ISOMETRIC VIEW

NOT FOR CONSTRUCTION. CONTACT COLUMBIA CASCADE COMPANY FOR INSTALLATION INSTRUCTIONS.

| Date | Revision | By |
|-------|--------------|-------------------|
| △ | | |
| △ | | |
| △ | | |
| △ | 03-13-17 | T. ENVELOPE ES/CL |
| Scale | Drawn by: TB | 03-15-96 |
| NONE | Ch'd by: | |

COLUMBIA CASCADE COMPANY
 Makers of TimberForm®, PipeLine®, RePlay®
 TimberForm®-2 and CycLoops® Products.
 1300 S.W. Sixth Avenue, Suite 310 Telephone 503/223-1157
 Portland, Oregon 97201-3464 Facsimile 503/223-4530
 U.S.A.

Title:
 TIMBERFORM FITNESS CLUSTER
 MODEL NO. 5100-02-B
 TIMBERFORM GROUP B
 (RECYCLED PLASTIC SLATS)

This drawing reveals the copyrighted intellectual property of Columbia Cascade Company. Not for use by others without our express, written authorization.

Drawing No.
 W-5100-02-B

Sheet
 2 of 2