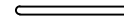


TRAINING ENVELOPE  
 8'-2" X 2'-6" (2.5m X 0.8m)  
 CLEARANCE SPACE  
 14'-2" X 8'-6" (4.4m X 2.6m)



LEG-OVER SIGN NO. 9716-S  
 IS INCLUDED WITH FITNESS  
 ROUTE STATION 9716-02.

TOP VIEW

**NOT FOR CONSTRUCTION. CONTACT COLUMBIA CASCADE COMPANY FOR INSTALLATION INSTRUCTIONS.**

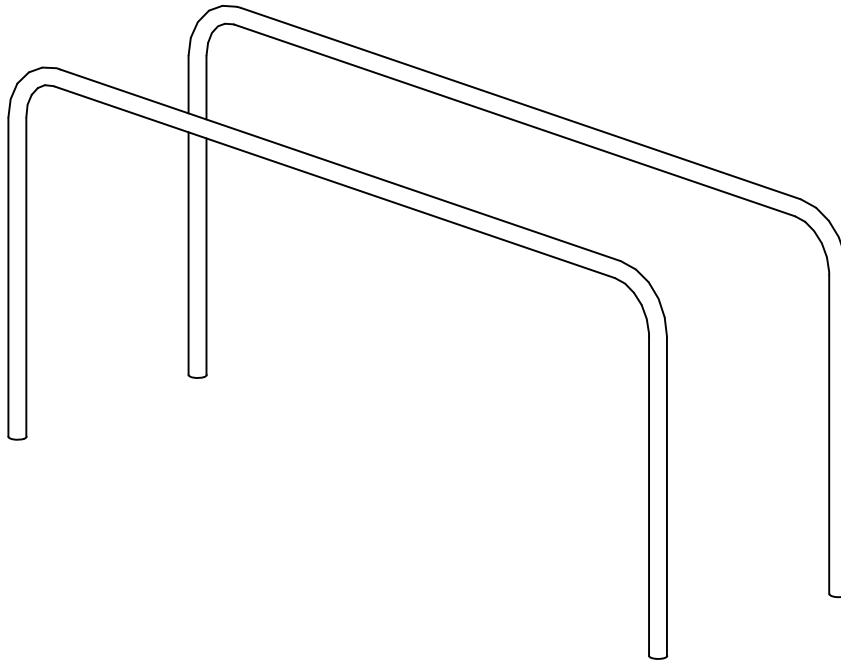
Date	Revision	By
△		
△		
△		
△	03-16-17	T. ENVELOPE ES/CL
Scale	Drawn by: TB	03-12-96
3/16" = 1'-0"	Ck'd by:	

**COLUMBIA CASCADE COMPANY**  
 Makers of TimberForm®, PipeLine®, RePlay®  
 TimberForm®-2 and CycLoops® Products.

1300 S.W. Sixth Avenue, Suite 310 Telephone 503/223-1157  
 Portland, Oregon 97201-3464 Facsimile 503/223-4530  
 U.S.A.


This drawing reveals the copyrighted intellectual property of Columbia Cascade Company. Not for use by others without our express, written authorization.

Title: PIPELINE FITNESS ROUTE MODEL NO. 9716-02 ARM-WALK	
Drawing No. W-9716-02	Sheet 1 of 2



ISOMETRIC VIEW

**NOT FOR CONSTRUCTION. CONTACT COLUMBIA CASCADE COMPANY FOR INSTALLATION INSTRUCTIONS.**

<table border="1"> <thead> <tr> <th>Date</th> <th>Revision</th> <th>By</th> </tr> </thead> <tbody> <tr> <td>△</td> <td></td> <td></td> </tr> <tr> <td>△</td> <td></td> <td></td> </tr> <tr> <td>△</td> <td></td> <td></td> </tr> <tr> <td>△</td> <td>03-16-17</td> <td>T. ENVELOPE</td> </tr> </tbody> </table>		Date	Revision	By	△			△			△			△	03-16-17	T. ENVELOPE	 <b>COLUMBIA CASCADE COMPANY</b> Makers of TimberForm®, PipeLine®, RePlay® TimberForm®-2 and CycLoops® Products.  1300 S.W. Sixth Avenue, Suite 310 Telephone 503/223-1157 Portland, Oregon 97201-3464 Facsimile 503/223-4530 U.S.A.	<b>Title:</b> PIPELINE FITNESS ROUTE MODEL NO. 9716-02 ARM-WALK
Date	Revision	By																
△																		
△																		
△																		
△	03-16-17	T. ENVELOPE																
Scale NONE	Drawn by: TB 03-12-96 Ck'd by:	<b>Drawing No.</b> W-9716-02	<b>Sheet</b> 2 of 2															

This drawing reveals the copyrighted intellectual property of Columbia Cascade Company. Not for use by others without our express, written authorization.