

TRAINING ENVELOPE
 7'-10" X 6'-9" (2.4m X 2.1m)
 CLEARANCE SPACE
 13'-10" X 12'-9" (4.3m X 3.9m)

LEG-OVER SIGN NO. 9715-S
 IS INCLUDED WITH FITNESS
 ROUTE STATION 9715-03.

TOP VIEW

NOT FOR CONSTRUCTION. CONTACT COLUMBIA CASCADE COMPANY FOR INSTALLATION INSTRUCTIONS.

Date	Revision	By
△		
△		
△		
△	03-15-17	T. ENVELOPE ES/CL
Scale	Drawn by: AT	10-30-03
3/16" = 1'-0"	Ck'd by:	

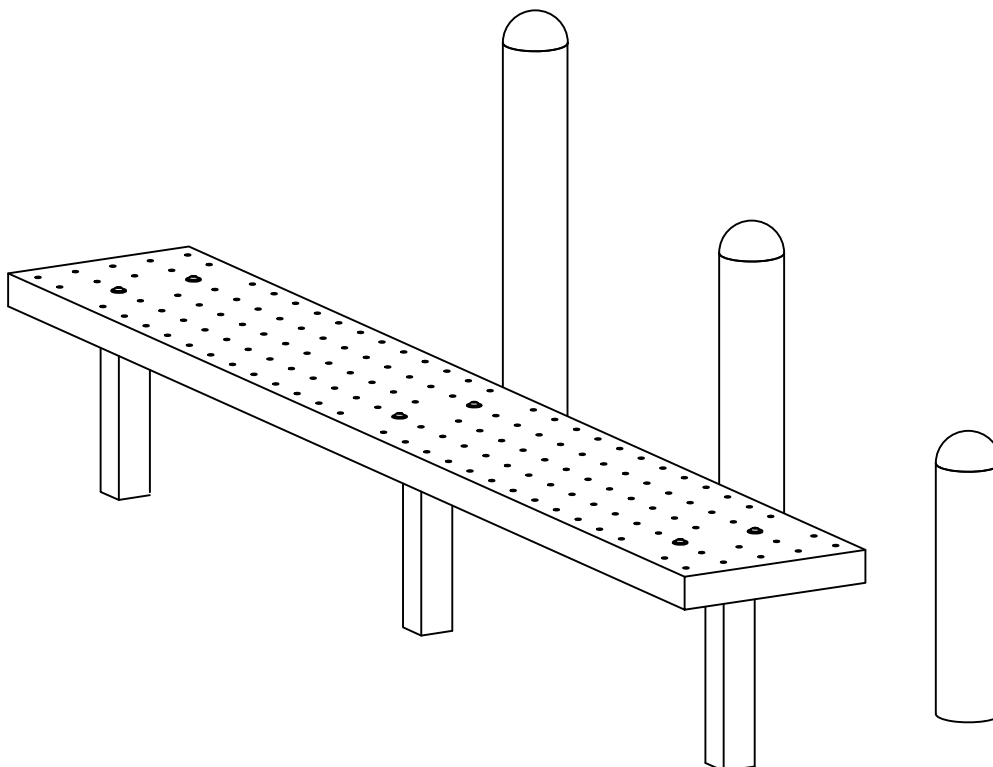
COLUMBIA CASCADE COMPANY
 Makers of TimberForm®, PipeLine®, RePlay®
 TimberForm®-2 and CycLoops® Products.
 1300 S.W. Sixth Avenue, Suite 310 Telephone 503/223-1157
 Portland, Oregon 97201-3464 Facsimile 503/223-4530
 U.S.A.

Title:
 PIPELINE FITNESS ROUTE
 MODEL NO. 9715-03
 LEG-OVER
 (SOFDEK BENCH TOP)

This drawing reveals the copyrighted intellectual property of Columbia Cascade Company. Not for use by others without our express, written authorization.

Drawing No.
W-9715-03

Sheet
1 of 2



ISOMETRIC VIEW

NOT FOR CONSTRUCTION. CONTACT COLUMBIA CASCADE COMPANY FOR INSTALLATION INSTRUCTIONS.

Date	Revision	By
△		
△		
△		
△	03-15-17	T. ENVELOPE ES/CL
Scale	Drawn by: AT	10-30-03
NONE	Ck'd by:	

COLUMBIA CASCADE COMPANY
 Makers of TimberForm®, PipeLine®, RePlay®
 TimberForm®-2 and CycLoops® Products.
 1300 S.W. Sixth Avenue, Suite 310 Telephone 503/223-1157
 Portland, Oregon 97201-3464 Facsimile 503/223-4530
 U.S.A.

Title:
 PIPELINE FITNESS ROUTE
 MODEL NO. 9715-03
 LEG-OVER
 (SOFDEK BENCH TOP)

This drawing reveals the copyrighted intellectual property of Columbia Cascade Company. Not for use by others without our express, written authorization.

Drawing No.
 W-9715-03

Sheet
 2 of 2