

EXERCISE ACTIVITIES

- 1. LEG-OVER
- 2. ARM-WALK
- 3. HOP-OVER

GROUP D SIGN NO. 9700-DS
IS INCLUDED WITH GROUP D

TRAINING ENVELOPE

23'-0" X 13'-7" (7.0m X 4.2m)

CLEARANCE SPACE

29'-0" X 19'-7" (8.9m X 6.0m)

(ONE POSSIBLE COMBINATION)

TOP VIEW

NOT FOR CONSTRUCTION. CONTACT COLUMBIA CASCADE COMPANY FOR INSTALLATION INSTRUCTIONS.

Date	Revision	By
△		
△		
△		
△	03-09-17	T. ENVELOPE ES/CL
Scale	Drawn by: TB	10-12-95
3/16" = 1'-0"	Ch'd by:	

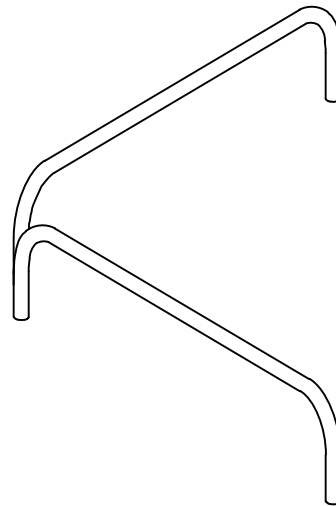
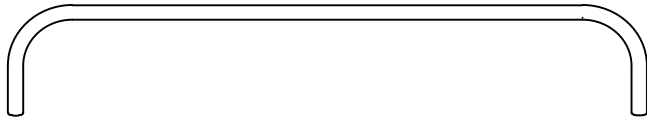
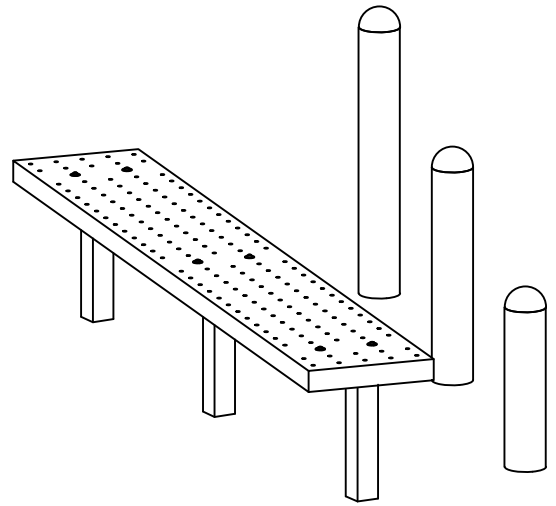
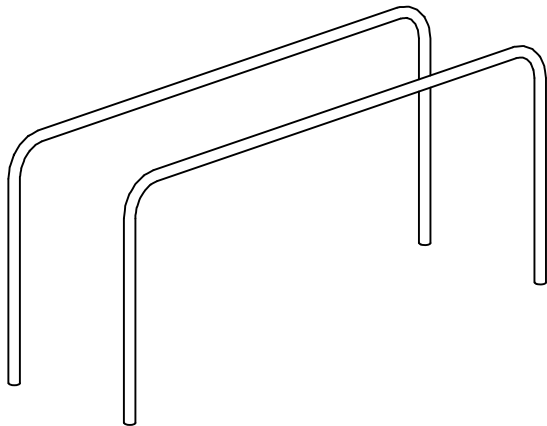
COLUMBIA CASCADE COMPANY
 Makers of TimberForm®, PipeLine®, RePlay®
 TimberForm®-2 and CycLoops® Products.
 1300 S.W. Sixth Avenue, Suite 310 Telephone 503/223-1157
 Portland, Oregon 97201-3464 Facsimile 503/223-4530
 U.S.A.

Title:
 PIPELINE FITNESS CLUSTER
 MODEL NO. 9700-03-D
 PIPELINE GROUP D
 (SOFDEK BENCH TOP)

This drawing reveals the copyrighted intellectual property of Columbia Cascade Company. Not for use by others without our express, written authorization.

Drawing No.
 W-9700-03-D

Sheet
 1 of 2



ISOMETRIC VIEW

NOT FOR CONSTRUCTION. CONTACT COLUMBIA CASCADE COMPANY FOR INSTALLATION INSTRUCTIONS.

Date	Revision	By
△		
△		
△		
△	03-09-17	T. ENVELOPE ES/CL
Scale	Drawn by: TB	10-12-95
NONE	Ch'd by:	

COLUMBIA CASCADE COMPANY
 Makers of TimberForm®, PipeLine®, RePlay®
 TimberForm®-2 and CycLoops® Products.
 1300 S.W. Sixth Avenue, Suite 310 Telephone 503/223-1157
 Portland, Oregon 97201-3464 Facsimile 503/223-4530
 U.S.A.

Title:
 PIPELINE FITNESS CLUSTER
 MODEL NO. 9700-03-D
 PIPELINE GROUP D
 (SOFDEK BENCH TOP)

This drawing reveals the copyrighted intellectual property of Columbia Cascade Company. Not for use by others without our express, written authorization.

Drawing No.
 W-9700-03-D

Sheet
 2 of 2