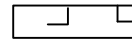


TRAINING ENVELOPE
 2'-9" X 8'-6" (0.9m X 8.6m)
 CLEARANCE SPACE
 8'-9" X 14'-6" (2.7m X 4.4m)



ARM-WALK SIGN NO. 5116-S
 IS INCLUDED WITH FITNESS
 STATION 5116-03.

TOP VIEW

NOT FOR CONSTRUCTION. CONTACT COLUMBIA CASCADE COMPANY FOR INSTALLATION INSTRUCTIONS.

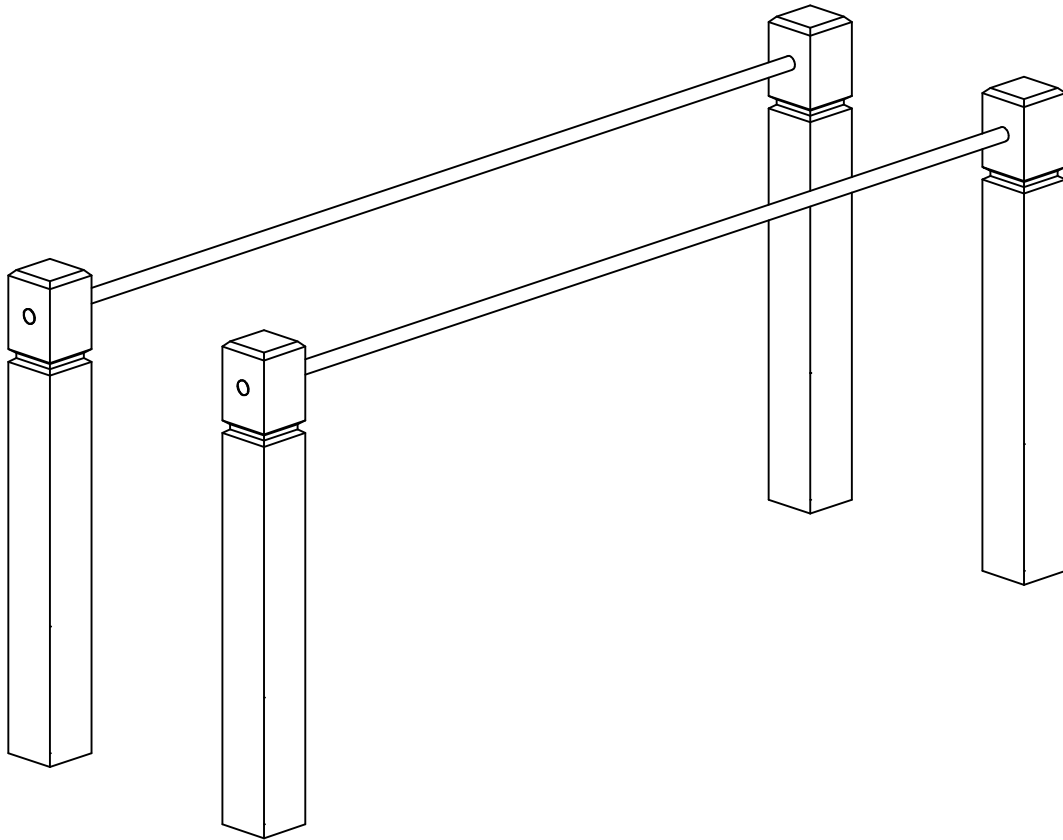
Date	Revision	By
△		
△		
△		
△	03-20-17	T. ENVELOPE ES/CL
Scale	Drawn by: CL	07-04-10
3/16" = 1'-0"	Ck'd by:	

COLUMBIA CASCADE COMPANY
 Makers of TimberForm®, PipeLine®, RePlay®
 TimberForm®-2 and CycLoops® Products.

1300 S.W. Sixth Avenue, Suite 310 Telephone 503/223-1157
 Portland, Oregon 97201-3464 Facsimile 503/223-4530
 U.S.A.

This drawing reveals the copyrighted intellectual property of Columbia Cascade Company. Not for use by others without our express, written authorization.

Title: TIMBERFORM FITNESS ROUTE MODEL NO. 5116-03 ARM-WALK	
Drawing No. W-5116-03	Sheet 1 of 2



ISOMETRIC VIEW

NOT FOR CONSTRUCTION. CONTACT COLUMBIA CASCADE COMPANY FOR INSTALLATION INSTRUCTIONS.

Date	Revision	By
△		
△		
△		
△	03-20-17	T. ENVELOPE ES/CL
Scale	Drawn by: CL	07-04-10
NONE	Ch'd by:	

COLUMBIA CASCADE COMPANY
 Makers of TimberForm®, PipeLine®, RePlay®
 TimberForm®-2 and CycLoops® Products.

1300 S.W. Sixth Avenue, Suite 310 Telephone 503/223-1157
 Portland, Oregon 97201-3464 Facsimile 503/223-4530
 U.S.A.

This drawing reveals the copyrighted intellectual property of Columbia Cascade Company. Not for use by others without our express, written authorization.

Title: TIMBERFORM FITNESS ROUTE MODEL NO. 5116-03 ARM-WALK	Drawing No. W-5116-03	Sheet 2 of 2
---	--------------------------	-----------------