

TRAINING ENVELOPE
 2'-11" X 8'-6" (0.9m X 2.6m)
 CLEARANCE SPACE
 8'-11" X 14'-6" (2.8m X 4.5m)

ARM-WALK SIGN NO. 9716-S
 IS INCLUDED WITH FITNESS
 STATION 5116-02.

TOP VIEW

NOT FOR CONSTRUCTION. CONTACT COLUMBIA CASCADE COMPANY FOR INSTALLATION INSTRUCTIONS.

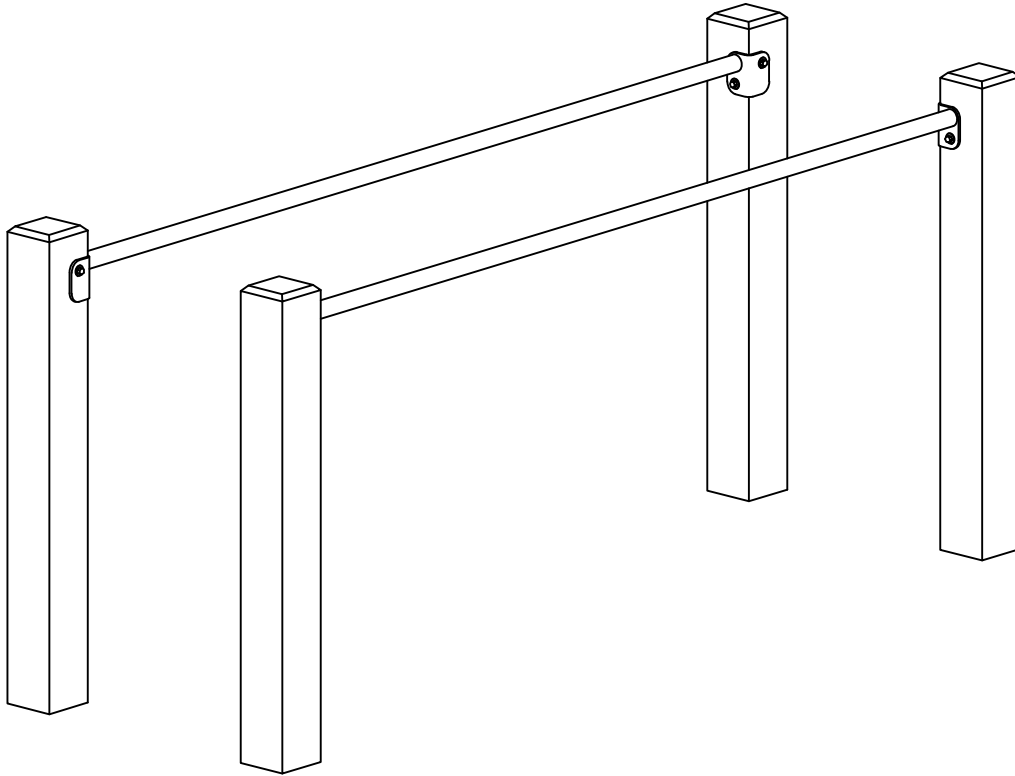
Date	Revision	By
△		
△		
△		
△	03-20-17	T. ENVELOPE ES/CL
Scale	Drawn by: TB	12-08-10
3/16" = 1'-0"	Ch'd by:	

COLUMBIA CASCADE COMPANY
 Makers of TimberForm®, PipeLine®, RePlay®
 TimberForm®-2 and CycLoops® Products.

1300 S.W. Sixth Avenue, Suite 310 Telephone 503/223-1157
 Portland, Oregon 97201-3464 Facsimile 503/223-4530
 U.S.A.


This drawing reveals the copyrighted intellectual property of Columbia Cascade Company. Not for use by others without our express, written authorization.

Title: TIMBERFORM FITNESS ROUTE MODEL NO. 5116-02 ARM-WALK (RECYCLED PLASTIC)	Drawing No. W-5116-02	Sheet 1 of 2
---	--------------------------	-----------------



ISOMETRIC VIEW

NOT FOR CONSTRUCTION. CONTACT COLUMBIA CASCADE COMPANY FOR INSTALLATION INSTRUCTIONS.

Date	Revision	By	 COLUMBIA CASCADE COMPANY Makers of TimberForm®, PipeLine®, RePlay® TimberForm®-2 and CycLoops® Products. 1300 S.W. Sixth Avenue, Suite 310 Telephone 503/223-1157 Portland, Oregon 97201-3464 Facsimile 503/223-4530 U.S.A.	Title:
△				TIMBERFORM FITNESS ROUTE MODEL NO. 5116-02 ARM-WALK (RECYCLED PLASTIC)
△				
△				
△	03-20-17	T. ENVELOPE	ES/CL	
Scale	Drawn by: TB	12-08-10	This drawing reveals the copyrighted intellectual property of Columbia Cascade Company. Not for use by others without our express, written authorization.	Drawing No.
NONE	Ck'd by:			W-5116-02