

TRAINING ENVELOPE
 7'-10" X 6'-9" (2.4m X 2.1m)
 CLEARANCE SPACE
 13'-10" X 12'-9" (4.3m X 3.9m)

LEG-OVER SIGN NO. 5115-S
 IS INCLUDED WITH FITNESS
 STATION 5115-03.

TOP VIEW

NOT FOR CONSTRUCTION. CONTACT COLUMBIA CASCADE COMPANY FOR INSTALLATION INSTRUCTIONS.

| Date | Revision | By |
|---------------|---------------|-------------------|
| △ | | |
| △ | | |
| △ | | |
| △ | 03-20-17 | T. ENVELOPE ES/CL |
| Scale | Drawn by: JZB | 03-27-07 |
| 3/16" = 1'-0" | Ch'd by: | |

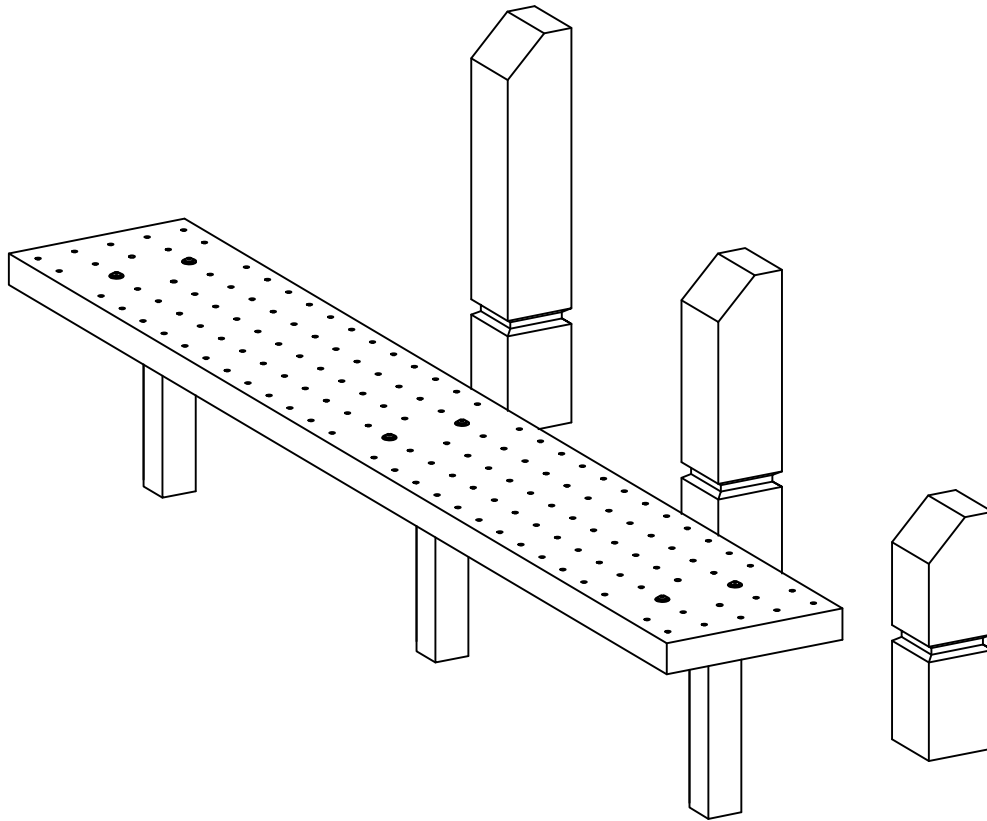
COLUMBIA CASCADE COMPANY
 Makers of TimberForm®, PipeLine®, RePlay®
 TimberForm®-2 and CycLoops® Products.
 1300 S.W. Sixth Avenue, Suite 310 Telephone 503/223-1157
 Portland, Oregon 97201-3464 Facsimile 503/223-4530
 U.S.A.

Title:
 TIMBERFORM FITNESS ROUTE
 MODEL NO. 5115-03
 LEG-OVER
 (SOFDEK BENCH TOP)

This drawing reveals the copyrighted intellectual property of Columbia Cascade Company. Not for use by others without our express, written authorization.

Drawing No.
 W-5115-03

Sheet
 1 of 2



ISOMETRIC VIEW

NOT FOR CONSTRUCTION. CONTACT COLUMBIA CASCADE COMPANY FOR INSTALLATION INSTRUCTIONS.

| Date | Revision | By |
|-------|---------------|-------------------|
| △ | | |
| △ | | |
| △ | | |
| △ | 03-20-17 | T. ENVELOPE ES/CL |
| Scale | Drawn by: JZB | 03-27-07 |
| NONE | Ch'd by: | |

COLUMBIA CASCADE COMPANY
 Makers of TimberForm®, PipeLine®, RePlay®
 TimberForm®-2 and CycLoops® Products.

1300 S.W. Sixth Avenue, Suite 310 Telephone 503/223-1157
 Portland, Oregon 97201-3464 Facsimile 503/223-4530
 U.S.A.

This drawing reveals the copyrighted intellectual property of Columbia Cascade Company. Not for use by others without our express, written authorization.

| | | |
|---|--------------------------|-----------------|
| Title: TIMBERFORM FITNESS ROUTE MODEL NO. 5115-03 LEG-OVER (SOFDEK BENCH TOP) | Drawing No. W-5115-03 | Sheet 2 of 2 |
|---|--------------------------|-----------------|