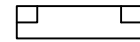


TRAINING ENVELOPE
 12'-9" X 12'-9" (3.9m X 3.9m)
 CLEARANCE SPACE
 18'-9" X 18'-9" (5.8m X 5.8m)



TOE-REACH SIGN NO. 5102-S
 IS INCLUDED WITH FITNESS
 STATION 5102.

TOP VIEW

NOT FOR CONSTRUCTION. CONTACT COLUMBIA CASCADE COMPANY FOR INSTALLATION INSTRUCTIONS.

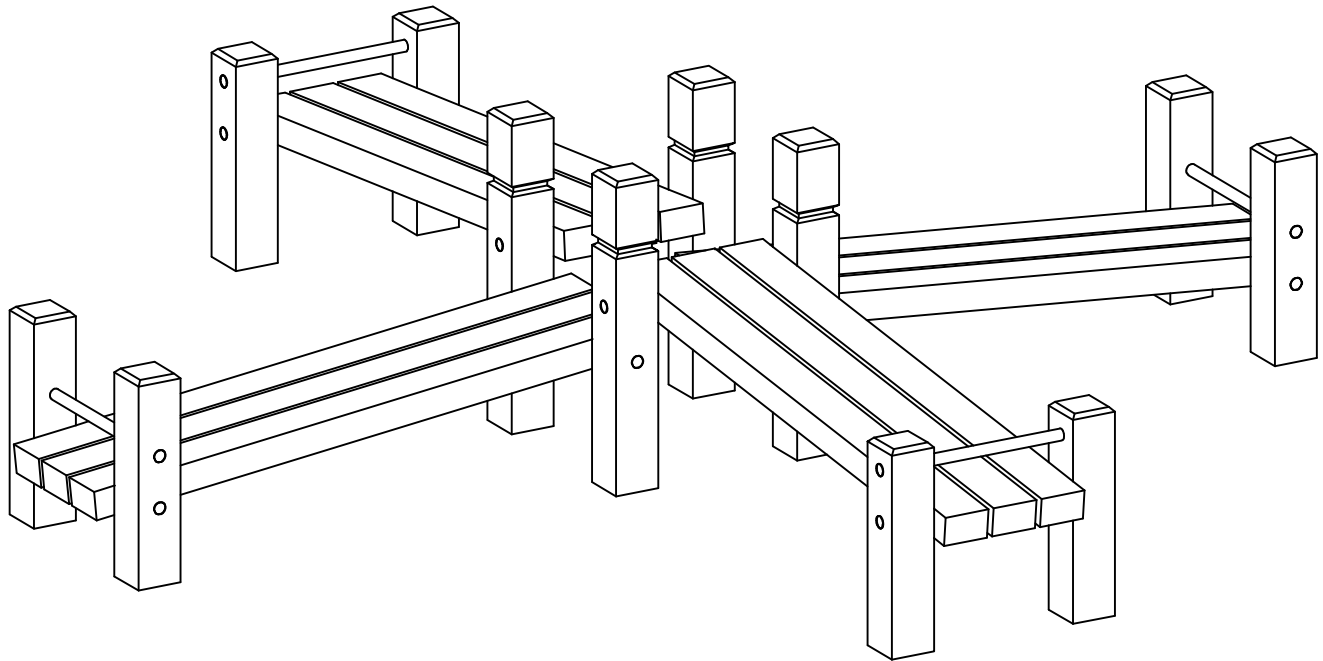
Date	Revision	By
△		
△		
△		
△	03-16-17	T. ENVELOPE ES/CL
Scale	Drawn by: TB	03-26-96
3/16" = 1'-0"	Ck'd by:	

COLUMBIA CASCADE COMPANY
 Makers of TimberForm®, PipeLine®, RePlay®
 TimberForm®-2 and CycLoops® Products.

1300 S.W. Sixth Avenue, Suite 310 Telephone 503/223-1157
 Portland, Oregon 97201-3464 Facsimile 503/223-4530
 U.S.A.


This drawing reveals the copyrighted intellectual property of Columbia Cascade Company. Not for use by others without our express, written authorization.

Title: TIMBERFORM FITNESS ROUTE MODEL NO. 5102 TOE-REACH (WOOD)	Drawing No. W-5102	Sheet 1 of 2
---	-----------------------	-----------------



ISOMETRIC VIEW

NOT FOR CONSTRUCTION. CONTACT COLUMBIA CASCADE COMPANY FOR INSTALLATION INSTRUCTIONS.

<table border="1"> <thead> <tr> <th>Date</th> <th>Revision</th> <th>By</th> </tr> </thead> <tbody> <tr> <td>△</td> <td></td> <td></td> </tr> <tr> <td>△</td> <td></td> <td></td> </tr> <tr> <td>△</td> <td></td> <td></td> </tr> <tr> <td>△</td> <td>03-16-17</td> <td>T. ENVELOPE ES/CL</td> </tr> </tbody> </table>		Date	Revision	By	△			△			△			△	03-16-17	T. ENVELOPE ES/CL	 <p>COLUMBIA CASCADE COMPANY Makers of TimberForm®, PipeLine®, RePlay® TimberForm®-2 and CycLoops® Products.</p> <p>1300 S.W. Sixth Avenue, Suite 310 Telephone 503/223-1157 Portland, Oregon 97201-3464 Facsimile 503/223-4530 U.S.A.</p>	<p>Title: TIMBERFORM FITNESS ROUTE MODEL NO. 5102 TOE-REACH (WOOD)</p>
Date	Revision	By																
△																		
△																		
△																		
△	03-16-17	T. ENVELOPE ES/CL																
<p>Scale NONE</p>	<p>Drawn by: TB 03-26-96</p> <p>Ck'd by:</p>	<p>Drawing No. W-5102</p>	<p>Sheet 2 of 2</p>															

This drawing reveals the copyrighted intellectual property of Columbia Cascade Company. Not for use by others without our express, written authorization.