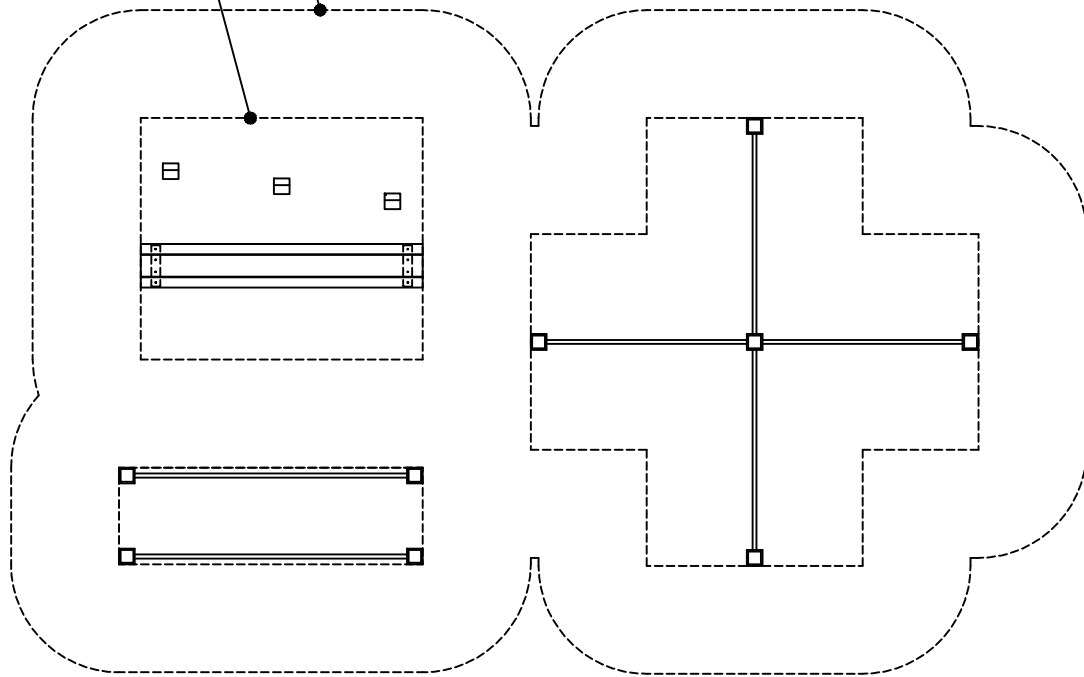


CLEARANCE SPACE

TRAINING ENVELOPE



EXERCISE ACTIVITIES

1. LEG-OVER
2. ARM-WALK
3. HOP-OVER

GROUP D SIGN NO. 5100-DS
IS INCLUDED WITH GROUP D

TRAINING ENVELOPE

23'-11" X 12'-6" (7.3m X 3.9m)

CLEARANCE SPACE

29'-11" X 18'-6" (9.2m X 5.7m)

(ONE POSSIBLE COMBINATION)

TOP VIEW

NOT FOR CONSTRUCTION. CONTACT COLUMBIA CASCADE COMPANY FOR INSTALLATION INSTRUCTIONS.

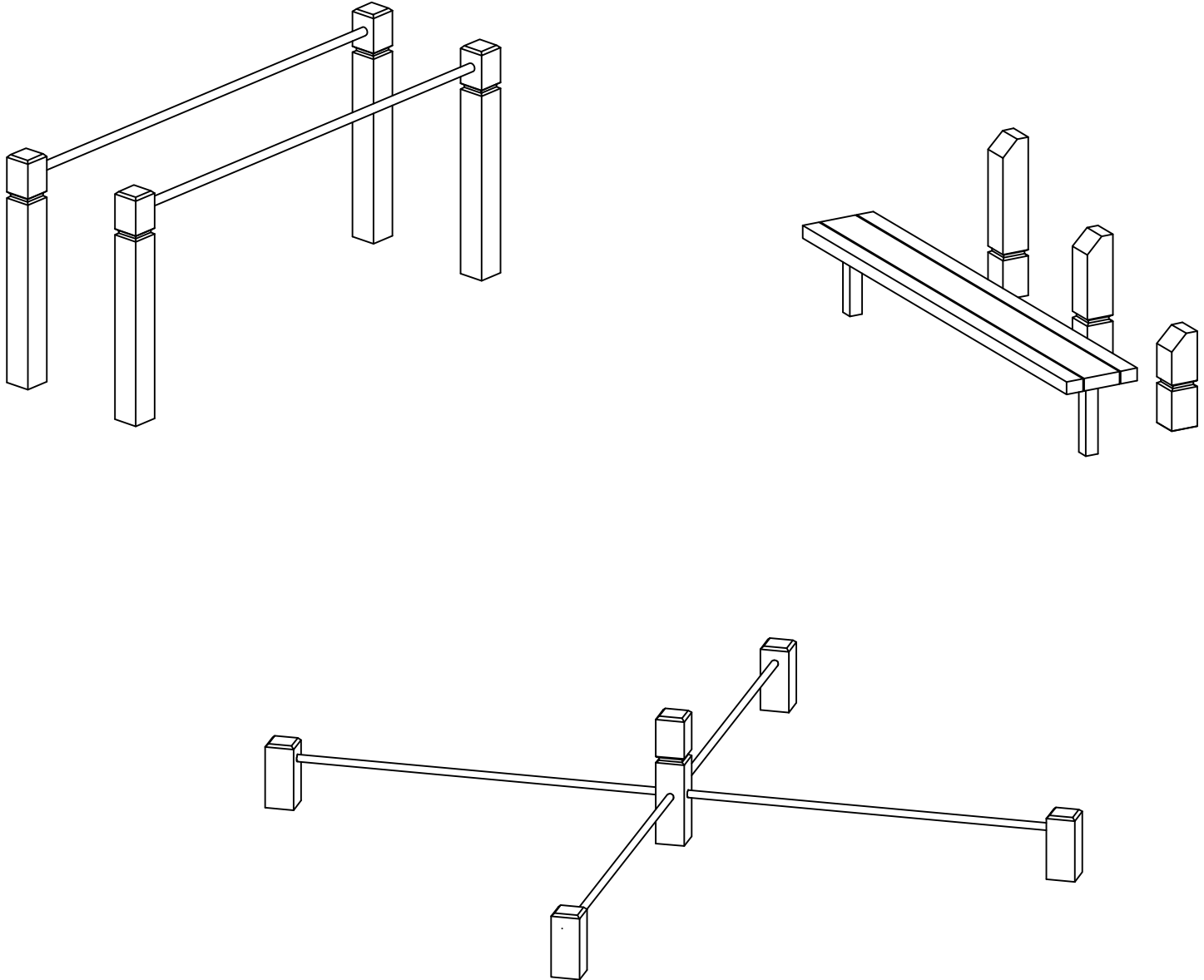
| Date | Revision | By |
|---------------|--------------|-------------------|
| △ | | |
| △ | | |
| △ | | |
| △ | 03-13-17 | T. ENVELOPE ES/CL |
| Scale | Drawn by: TB | 03-15-96 |
| 3/16" = 1'-0" | Ch'd by: | |

COLUMBIA CASCADE COMPANY
 Makers of TimberForm®, PipeLine®, RePlay®,
 TimberForm®-2 and CycLoops® Products.

1300 S.W. Sixth Avenue, Suite 310 Telephone 503/223-1157
 Portland, Oregon 97201-3464 Facsimile 503/223-4530
 U.S.A.


This drawing reveals the copyrighted intellectual property of Columbia Cascade Company. Not for use by others without our express, written authorization.

| | | |
|--|-------------------------|-----------------|
| Title: TIMBERFORM FITNESS CLUSTER MODEL NO. 5100-D TIMBERFORM GROUP D (WOOD SLATS) | Drawing No. W-5100-D | Sheet 1 of 2 |
|--|-------------------------|-----------------|



ISOMETRIC VIEW

NOT FOR CONSTRUCTION. CONTACT COLUMBIA CASCADE COMPANY FOR INSTALLATION INSTRUCTIONS.

| <table border="1"> <thead> <tr> <th>Date</th> <th>Revision</th> <th>By</th> </tr> </thead> <tbody> <tr> <td>△</td> <td></td> <td></td> </tr> <tr> <td>△</td> <td></td> <td></td> </tr> <tr> <td>△</td> <td></td> <td></td> </tr> <tr> <td>△</td> <td>03-13-17</td> <td>T. ENVELOPE ES/CL</td> </tr> </tbody> </table> | | Date | Revision | By | △ | | | △ | | | △ | | | △ | 03-13-17 | T. ENVELOPE ES/CL |  <p>COLUMBIA CASCADE COMPANY Makers of TimberForm®, PipeLine®, RePlay® TimberForm®-2 and CycLoops® Products.</p> <p>1300 S.W. Sixth Avenue, Suite 310 Telephone 503/223-1157 Portland, Oregon 97201-3464 Facsimile 503/223-4530 U.S.A.</p> | <p>Title: TIMBERFORM FITNESS CLUSTER MODEL NO. 5100-D TIMBERFORM GROUP D (WOOD SLATS)</p> |
|---|--------------------------|--------------------------|----------|--|--|-------------------------|-----------------|---|--|--|---|--|--|---|----------|-------------------|--|---|
| Date | Revision | By | | | | | | | | | | | | | | | | |
| △ | | | | | | | | | | | | | | | | | | |
| △ | | | | | | | | | | | | | | | | | | |
| △ | | | | | | | | | | | | | | | | | | |
| △ | 03-13-17 | T. ENVELOPE ES/CL | | | | | | | | | | | | | | | | |
| <table border="1"> <tr> <td>Scale NONE</td> <td>Drawn by: TB Ck'd by:</td> <td>03-15-96</td> </tr> </table> | Scale NONE | Drawn by: TB Ck'd by: | 03-15-96 | <p>This drawing reveals the copyrighted intellectual property of Columbia Cascade Company. Not for use by others without our express, written authorization.</p> | <table border="1"> <tr> <td>Drawing No. W-5100-D</td> <td>Sheet 2 of 2</td> </tr> </table> | Drawing No. W-5100-D | Sheet 2 of 2 | | | | | | | | | | | |
| Scale NONE | Drawn by: TB Ck'd by: | 03-15-96 | | | | | | | | | | | | | | | | |
| Drawing No. W-5100-D | Sheet 2 of 2 | | | | | | | | | | | | | | | | | |